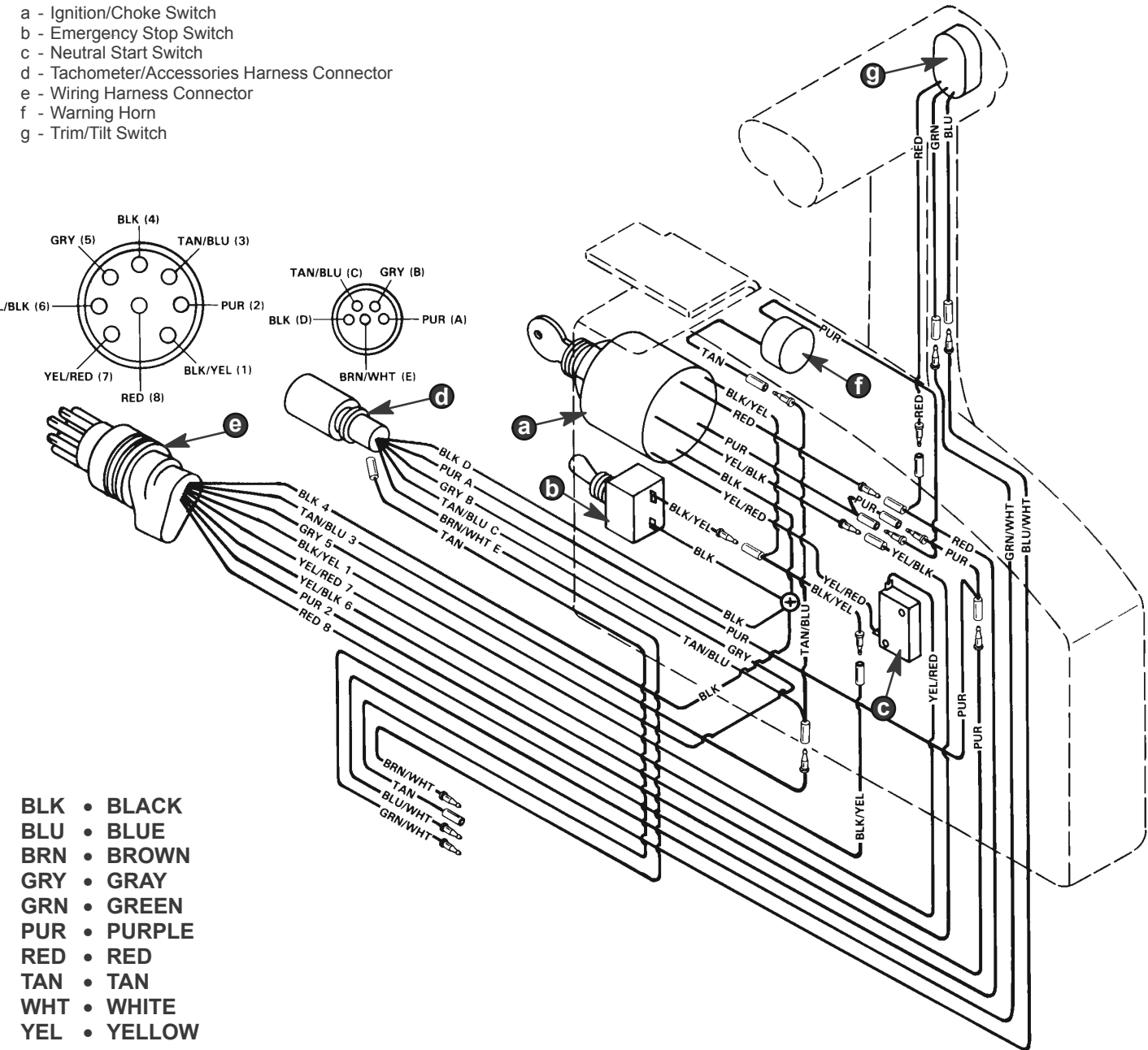




# COMMANDER 2000 Side Mount Remote Control (Power Trim/Tilt Electric Start with Warning Horn) Wiring Diagram

- a - Ignition/Choke Switch
- b - Emergency Stop Switch
- c - Neutral Start Switch
- d - Tachometer/Accessories Harness Connector
- e - Wiring Harness Connector
- f - Warning Horn
- g - Trim/Tilt Switch



- BLK • BLACK
- BLU • BLUE
- BRN • BROWN
- GRY • GRAY
- GRN • GREEN
- PUR • PURPLE
- RED • RED
- TAN • TAN
- WHT • WHITE
- YEL • YELLOW

23891



# COMMANDER Side Mount Remote Control (Power Tilt Electric Start with Warning Horn) Wiring Diagram

- a - Ignition/Choke Switch
- b - Emergency Stop Switch
- c - Neutral Start Switch
- d - Tachometer/Accessories Harness
- e - Wiring Harness Connector
- f - Warning Horn
- g - Trim/Tilt Switch
- h - Wire Retainer
- i - Control Handle
- j - Trim Harness Bushing
- k - Trim Harness Connector
- l - Lead to Trim Indicator Gauge

- BLK • BLACK
- BLU • BLUE
- BRN • BROWN
- GRY • GREY
- GRN • GREEN
- PUR • PURPLE
- RED • RED
- TAN • TAN
- WHT • WHITE
- YEL • YELLOW
- LIT • LIGHT

