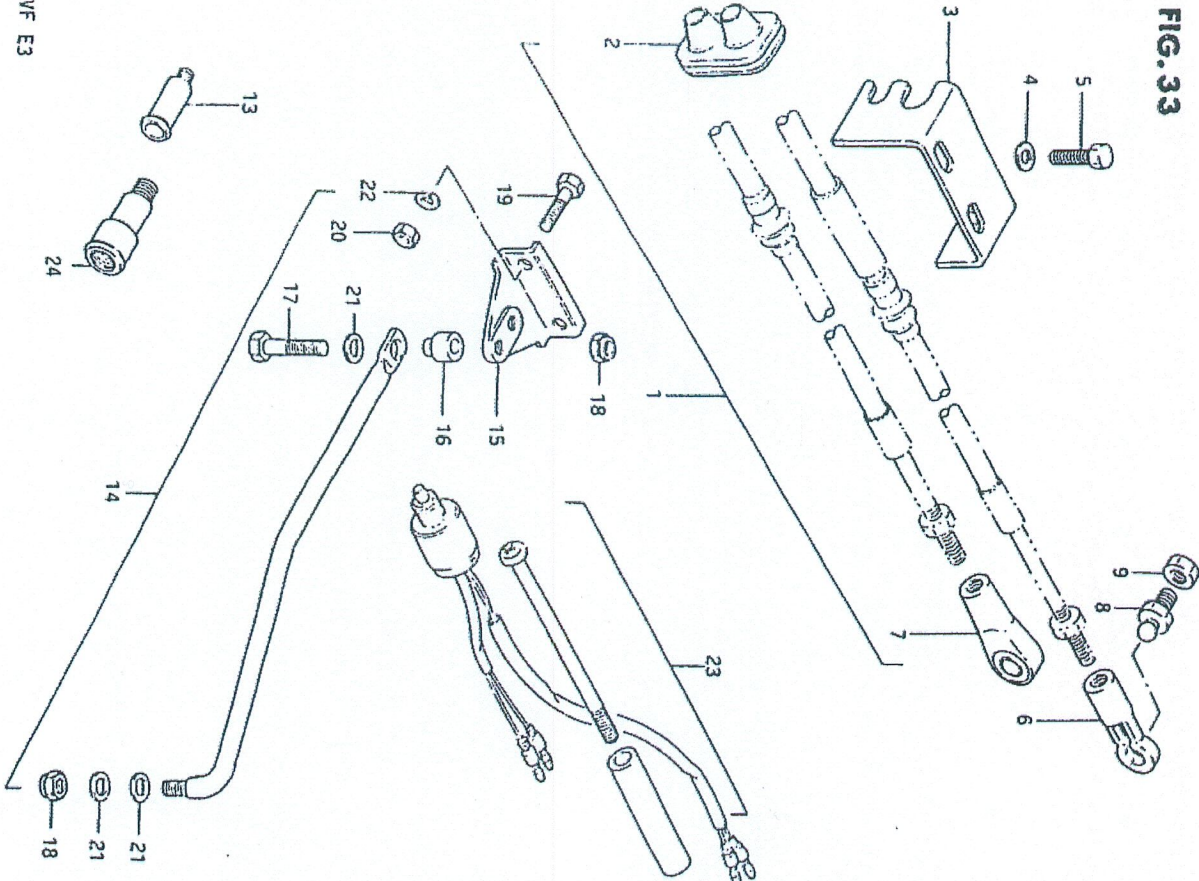


FIG. 33



DT40C VF E3

Revised 11/1/84

FIG. 33 (F- 8) OPTIONAL : REMO-CON PARTS

REF. NO.	PART NO.	DESCRIPTION	Q'TY	REMARKS
1	67130-94400	PARTS ASSY, tempo-con	1	
2	67331-94400	.GROMMET, tempo-con cable	1	STD: Electric Start
3	67341-94400	.HOLDER, tempo-con cable	1	
4	09160-06015	.WASHER (6.5x1.5x1)	2	
5	09100-06115	.BOLT (6x1.5)	2	
6	67466-95200	.CONNECTOR, tempo-con cable	1	
7	67467-94400	.CONNECTOR, tempo-con cable(CL)	1	
8	09119-06047	.POLE PIVOT	1	
9	09140-06004	.NUT	1	
13	55181-95200	ATTACHMENT, flush hose	1	
14	67701-94401	LINK ASSY, drag	1	STD: Electric Start
15	43755-96301	.ATTACHMENT, steering bracket	1	
16	67721-94400	.SPACER	1	
17	67725-94400	.BOLT	1	
18	67726-94500	.NUT	2	
19	09100-08224	.BOLT (8x35)	2	
20	09140-08016	.NUT	2	
21	09160-10040	.WASHER (10.5x1.5x2)	3	
22	09162-08007	.LOCK WASHER	2	
23	67140-95300	ATTACHMENT, trim remote set	1	
24	55182-95200	ATTACHMENT, flush for U.S.	1	

DT40C VF E3 Revised 11/1/84