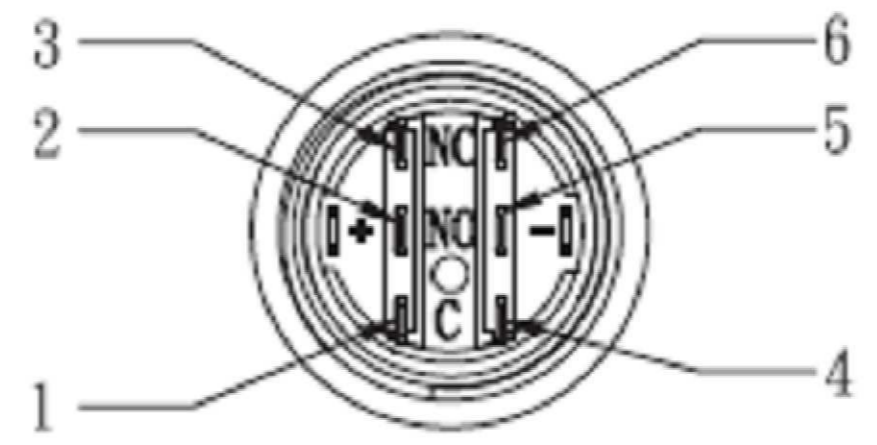
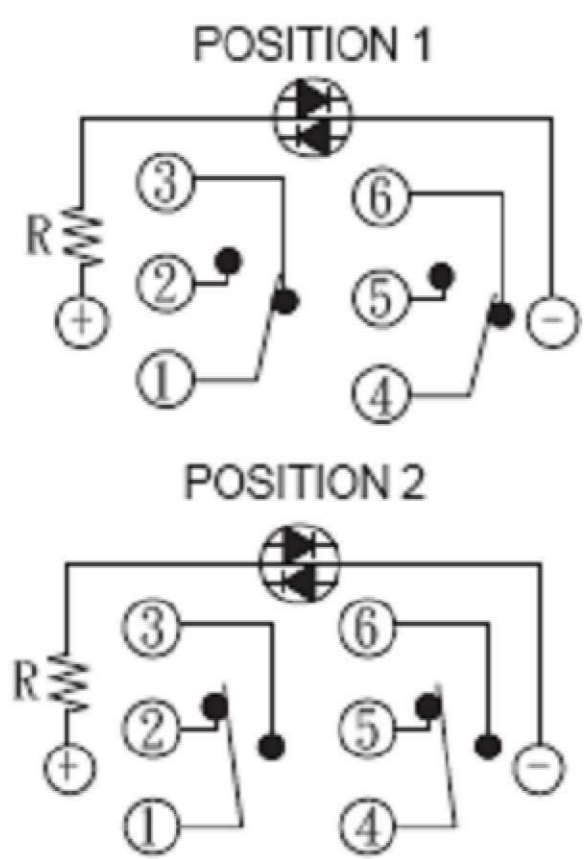
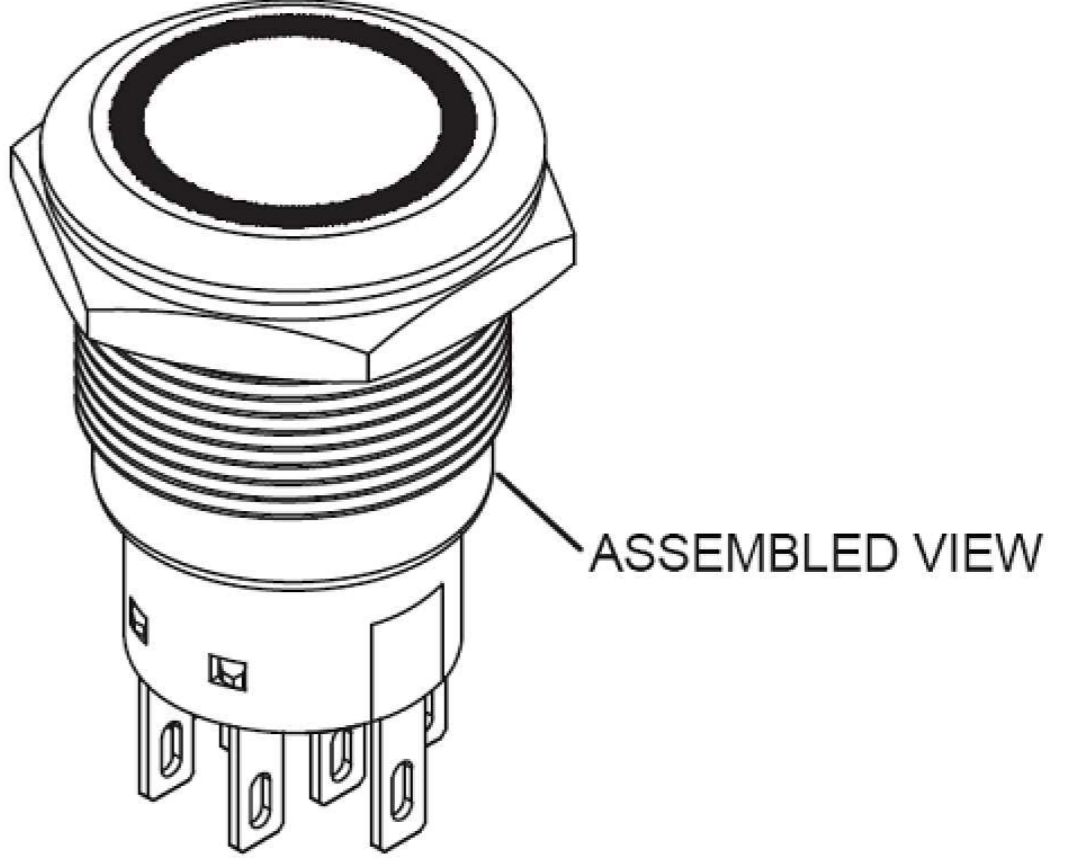
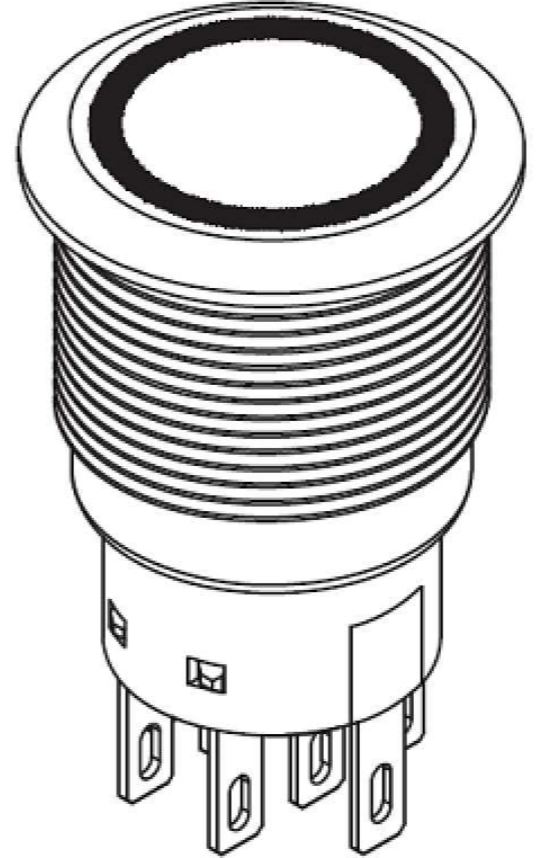
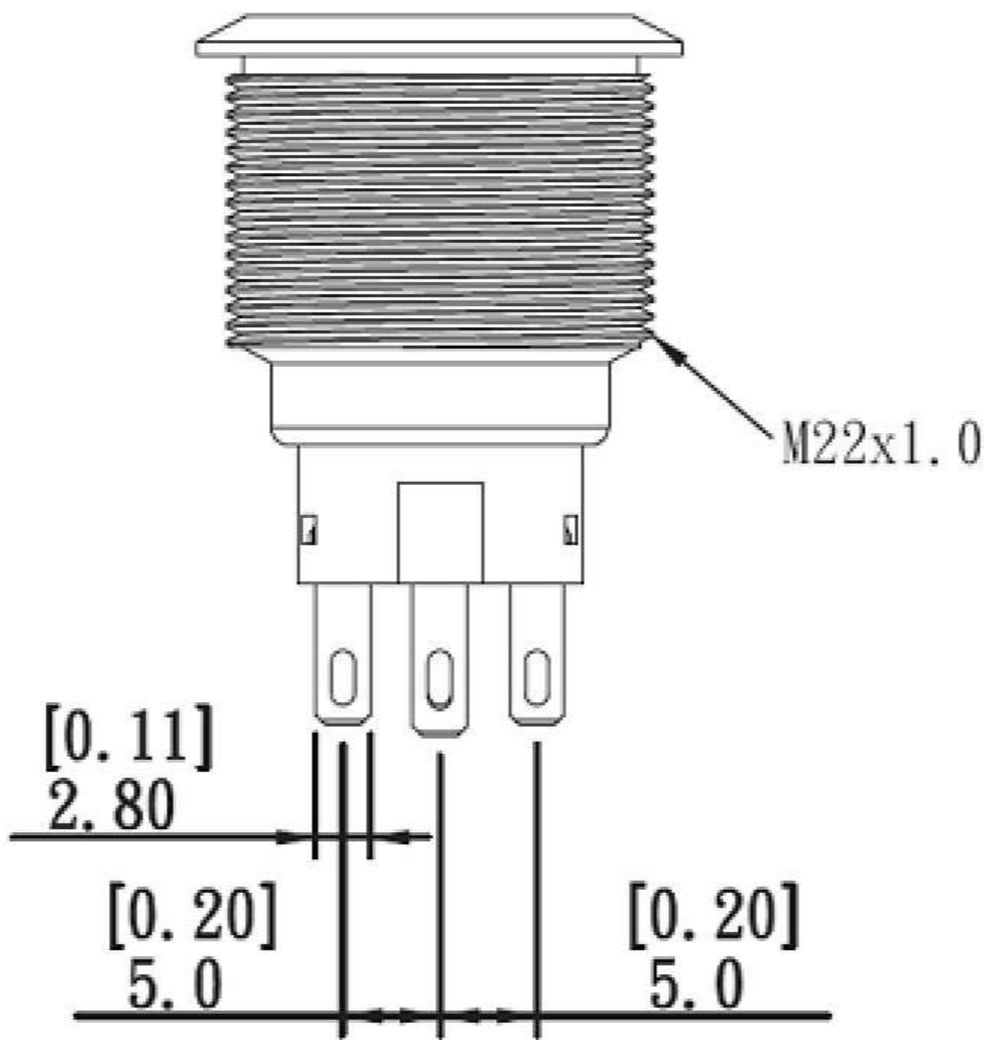
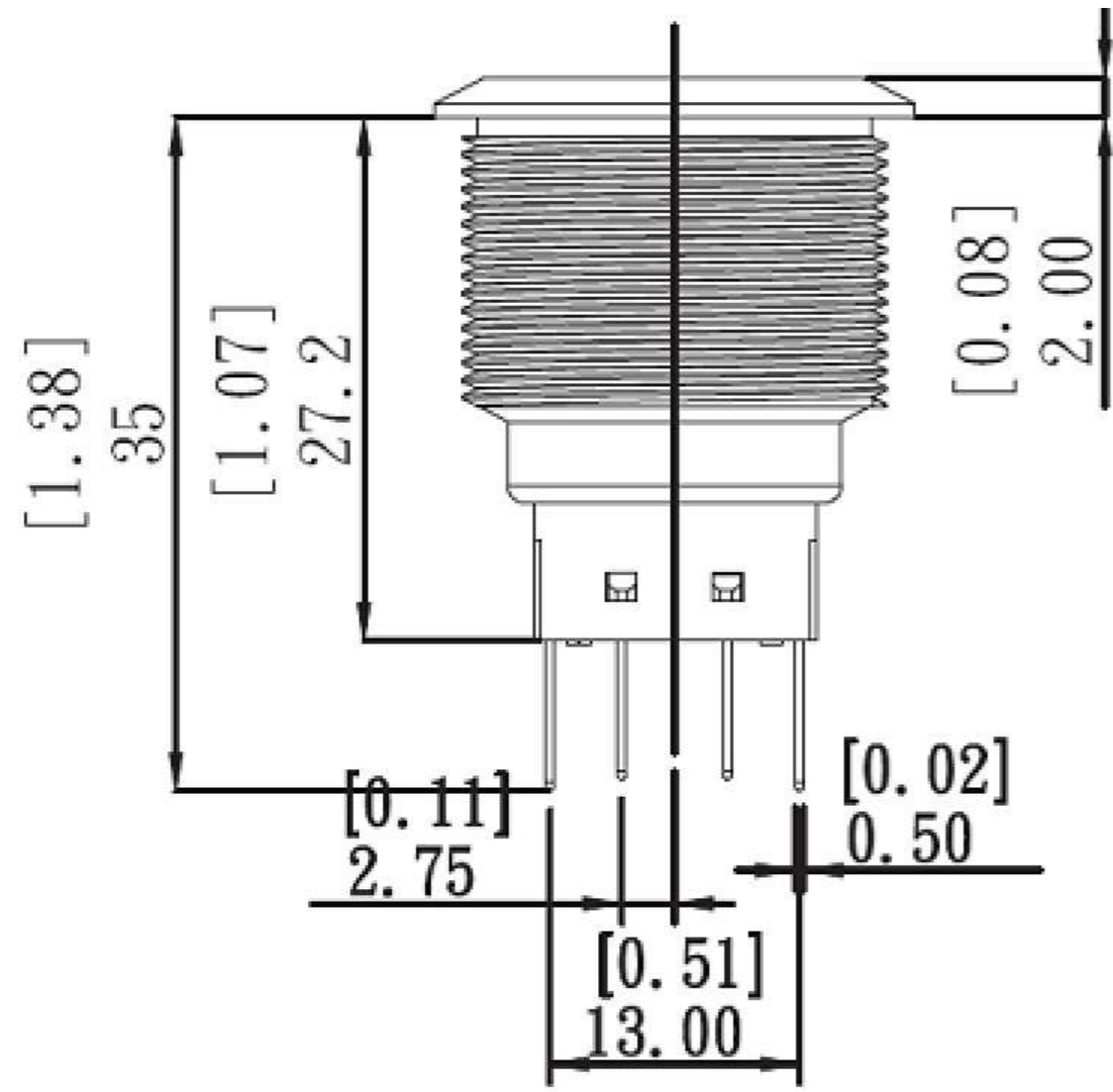


THIS DRAWING IS UNPUBLISHED. RELEASED FOR PUBLICATION  
 © COPYRIGHT - By - ALL RIGHTS RESERVED.

REVISIONS					
P	LTR	DESCRIPTION	DATE	DWN	APVD
-	-	SEE SHEET 1	-	-	-



THIS DRAWING IS A CONTROLLED DOCUMENT.		DWN 09FEB2016 NAGALAKSHMI K	<b>TE</b> TE Connectivity		
DIMENSIONS: mm [INCHES]		CHK 09FEB2016 HILL RYAN			
TOLERANCES UNLESS OTHERWISE SPECIFIED:		APVD 09FEB2016 HILL RYAN	NAME ANTI-VANDAL SWITCH 22mm MOVING RING LED		
0 PLC ± - 1 PLC ± - 2 PLC ± - 3 PLC ± - 4 PLC ± - ANGLES ± -		PRODUCT SPEC	SIZE A2	CAGE CODE 00779	DRAWING NO C=2213772
MATERIAL		FINISH	WEIGHT	SCALE 1:1	SHEET 2 of 4
		CUSTOMER DRAWING		RESTRICTED TO	REV B