



# SUZUKI MARINE

Parts Book

DT 50 (1984)



1703 Hwy 35 So., Laurence Harbor, NJ 08879

**(732) 264-7176**

**(800) 338-0645 FAX (732) 264-2472**

[www.brownspoint.com](http://www.brownspoint.com)

## PREFACE

When it becomes necessary to replace parts on SUZUKI OUTBOARD MOTORS, always use SUZUKI GENUINE PARTS which have passed a strict inspection which guarantees quality and performance.

This parts catalog covers the list of all service parts for SUZUKI DT50C VE.

### INSTRUCTIONS FOR QUOTING THE CATALOG

#### 1. DIMENSIONS

Dimensions of the parts in this catalog are indicated in unit millimeters.

#### 2. ABBREVIATIONS

Abbreviations used in this catalog are as follows:

AR	: As required	NT	: Number of teeth
ASSY	: Assembly	OPT	: Optional
E.No.	: Engine number	OS	: Over size
F.No.	: Frame number	STD	: Standard
d	: Diameter of material	T	: Thickness
ID	: Inside diameter	US	: Under size
OD	: Outside diameter	W	: Width
L	: Length	S,L,UL,LL	: Transom type
LH	: Left hand side		
RH	: Right hand side		
-301234	: Up to F.No.05003-301234		
301234~	: From F.No.05003-301234		

$\frac{12}{\text{ID}} \times \frac{34}{\text{OD}} \times \frac{5.6}{\text{T(or W,L)}}$  ..... Figures in the description column show the dimensions of parts.

#### 3. INNER PARTS OF ASSEMBLY

Parts number that have a period (.) mark in front of the part description on a text page are separately serviced parts of the assembly.

#### 4. MODIFICATION NOTICE

A parts bulletin will be sent to you on all occasions when changes in parts occur, including interchangeable modifications between new parts and old ones.

#### 5. NOTE

- 5-1. There are some different parts from those of production models among spare parts for the administrative reasons and common use of them with other models.
- 5-2. In respect of rubber hoses and vinyl tubes, please be sure to use them by cutting off according to the length mentioned on parts catalog or what is actually required on the vehicle.
- 5-3. Note that the drawings on the illustration page are for ready reference of spare parts number, not to be used as an assembly manual. When assembling, use "SUZUKI SERVICE MANUAL".

#### 6. ENGINE NUMBER

DT50C VE : 05003-401001-

FIG.1

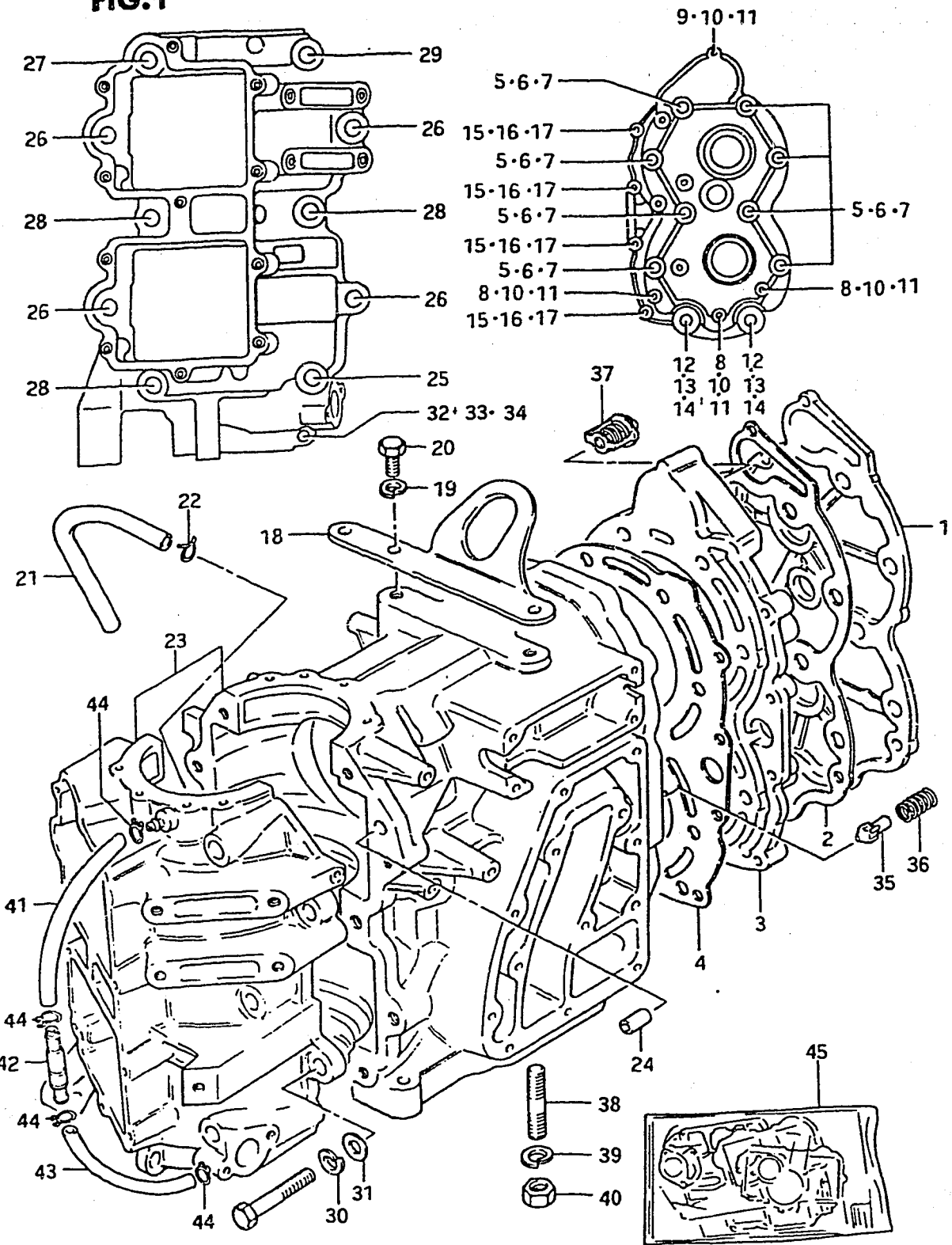


FIG.1 (B- 2) CYLINDER

REF.NO.	PART NO.	DESCRIPTION	Q'TY	REMARKS
1	11161-95202-02M	COVER, cylinder head	1	
2	11162-95201	GASKET, cylinder head cover	1	
3	11111-95331-02M	HEAD, cylinder	1	
4	11141-95304	GASKET, cylinder head	1	
5	01107-10808	BOLT	8	
6	08321-21108	LOCK WASHER	8	
7	08322-11108	WASHER	8	
8	01107-06258	BOLT	3	
9	01107-06308	BOLT	1	
10	08321-21068	LOCK WASHER	4	
11	08322-21068	WASHER	4	
12	09119-10016	BOLT	2	
13	08321-21108	LOCK WASHER	2	
14	08322-11108	WASHER	2	
15	09100-06033	BOLT (6x35)	4	
16	08321-21068	LOCK WASHER	4	
17	08322-21068	WASHER	4	
18	11291-95203	HOOK, engine	1	
19	08321-21088	LOCK WASHER	2	
20	01107-08208	BOLT	2	
21	09343-05137	HOSE	1	L:500-110
22	09401-09402	CLIP	2	

FIG.1

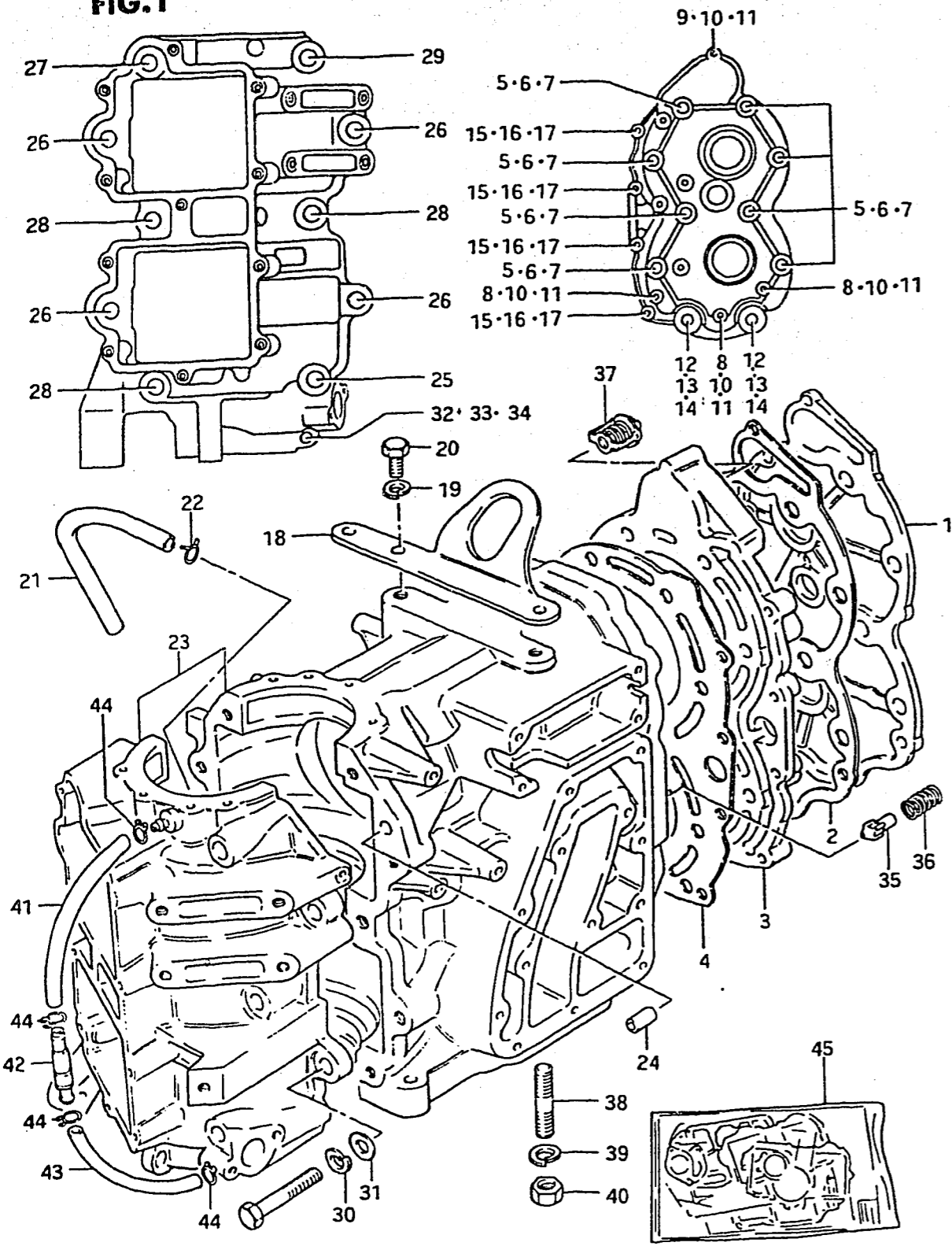
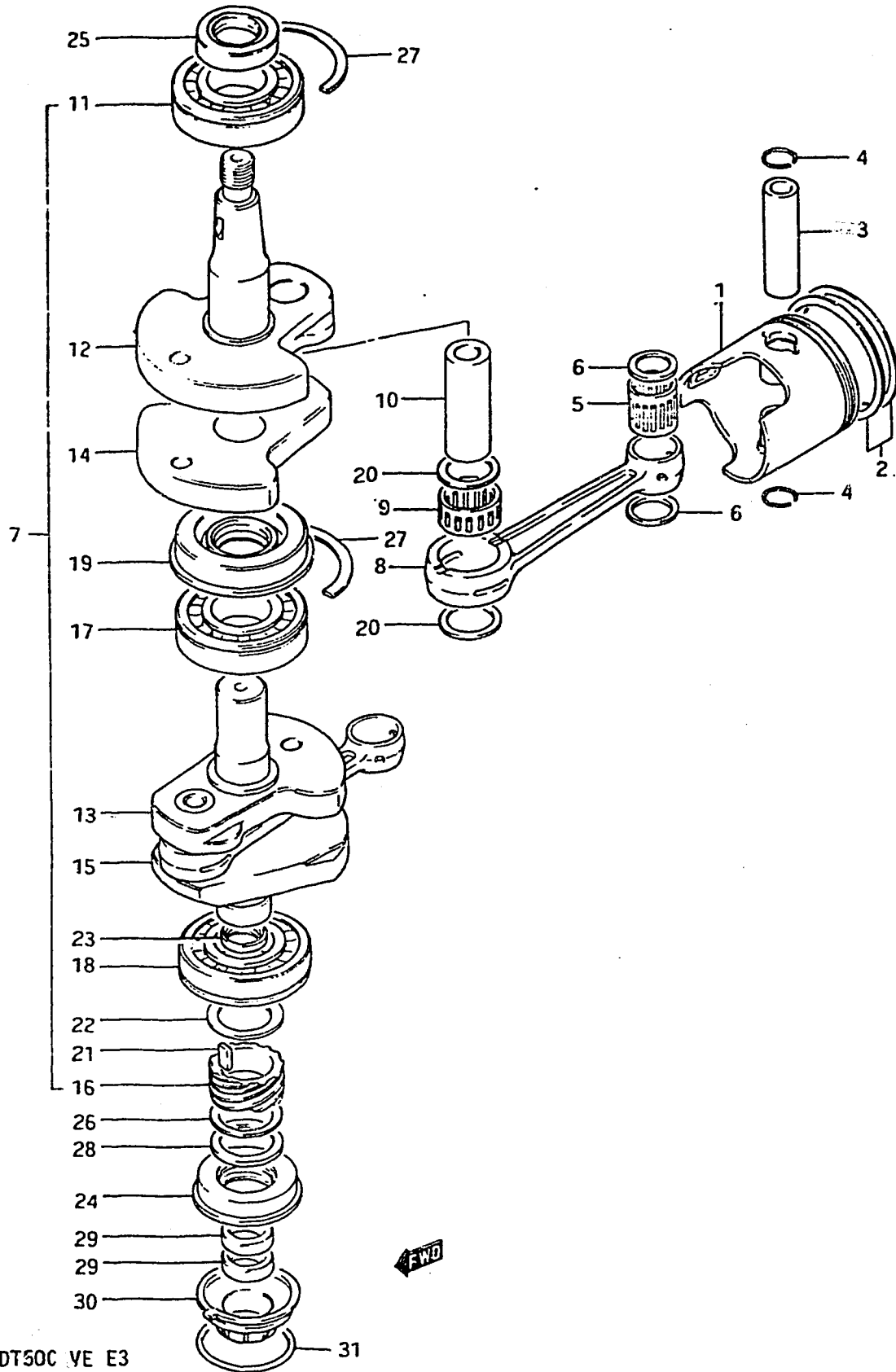


FIG.1 (B-3) CYLINDER

REF.NO.	PART NO.	DESCRIPTION	Q'TY	REMARKS
23	11301-95252-02M	CYLINDER/CRANKCASE ASSY	1	
24	04211-09109	.KNOCK PIN	2	
25	01107-10858	.BOLT	1	
26	01107-10408	.BOLT	4	
27	07110-10606	.BOLT	1	
28	01107-10658	.BOLT	3	
29	01107-10708	.BOLT	1	
30	08321-21108	.LOCK WASHER	9	
31	08322-11108	.WASHER	9	
32	01107-06408	.BOLT	1	
33	08321-21068	.LOCK WASHER	1	
34	08322-21068	.WASHER	1	
35	17611-95201	VALVE, water bypass	1	
36	09440-11008	SPRING	1	
37-1	17670-95300	THERMOSTAT, 42°C	1	
37-2	17670-95290	THERMOSTAT, 62°C	1	OPT
38	09108-08146	STUD BOLT	1	
39	09162-08007	LOCK WASHER	1	
40	09140-08016	NUT	1	
41	09343-03051	HOSE, upper	1	L:330-180
42	16710-95200	CHECK VALVE	1	
43	09343-03051	HOSE, under	1	L:330-120
44	09401-06403	CLIP	4	
45	11401-95840	GASKET SET	1	OPT

FIG.2



DT50C VE E3

FIG.2 (B- 4) CRANKSHAFT

REF.NO.	PART NO.	DESCRIPTION	Q'TY	REMARKS
1-1	12110-95512	PISTON	2	
1-2	12110-95322-025	PISTON (OS:0.25)	2	OPT
1-3	12110-95322-050	PISTON (OS:0.50)	2	OPT
2-1	12140-95302	RING SET, piston	2	
2-2	12140-95311-025	RING SET, piston (OS:0.25)	2	OPT
2-3	12140-95311-050	RING SET, piston (OS:0.50)	2	OPT
3	12151-95500	PIN, piston	2	
4	09381-20004	SNAP RING	4	
5	09263-20034	BEARING (20x25x27.9)	2	
6	09169-20001	WASHER	4	
7	12200-95304	CRANKSHAFT ASSY	1	
8	12161-95301	.ROD, connecting	2	
9	09263-28018	.BEARING	2	
10	12211-95300	.PIN, crank	2	
11	09264-35002	.BEARING	1	
12	12221-95303	.CRANKSHAFT, upper	1	
13	12232-95301	.WHEEL, middle, under	1	
14	12231-95301	.WHEEL, middel, upper	1	
15	12241-95304	.CRANKSHAFT, under	1	

DT50C VE E3

B4

FIG.2

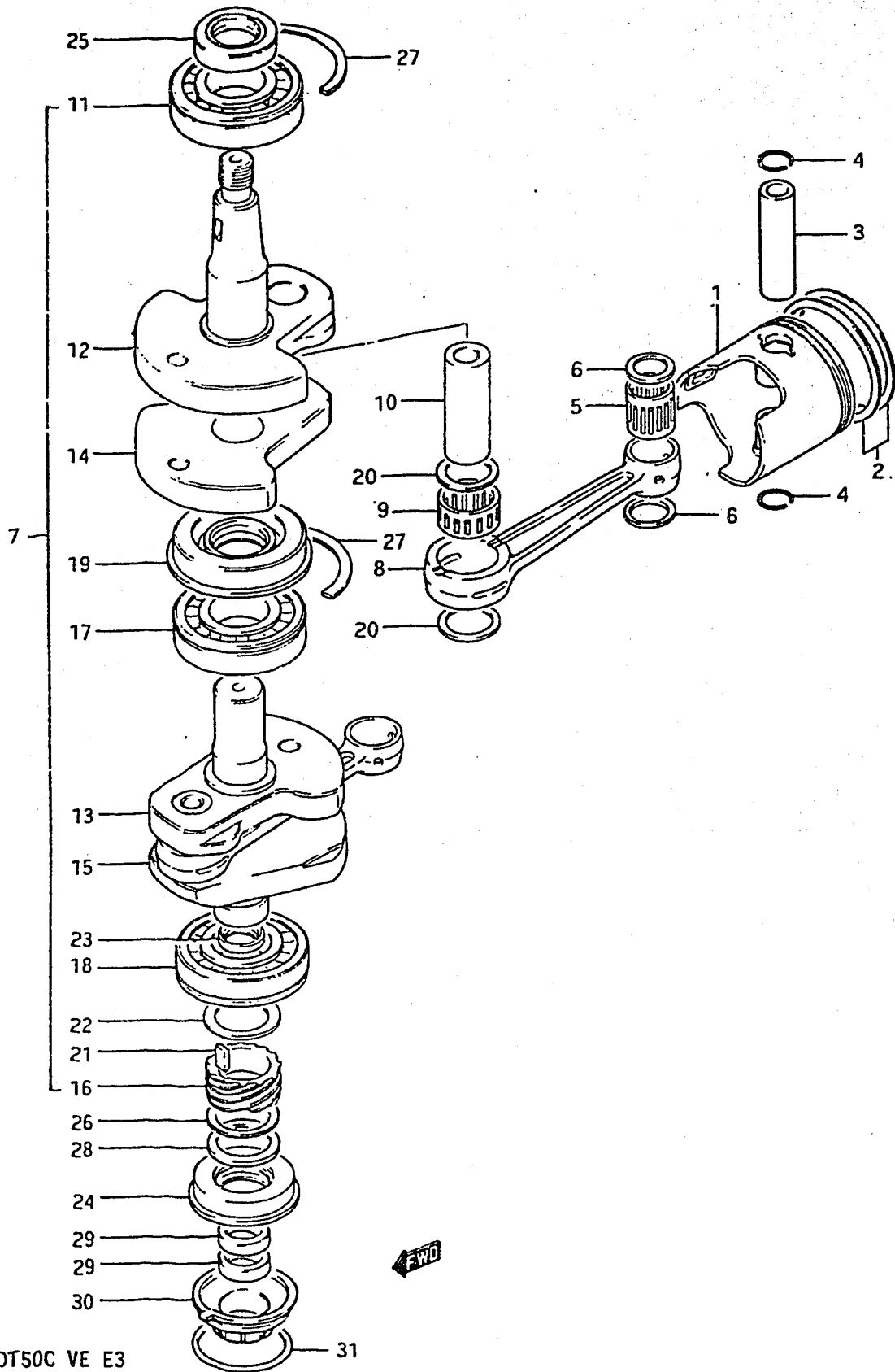
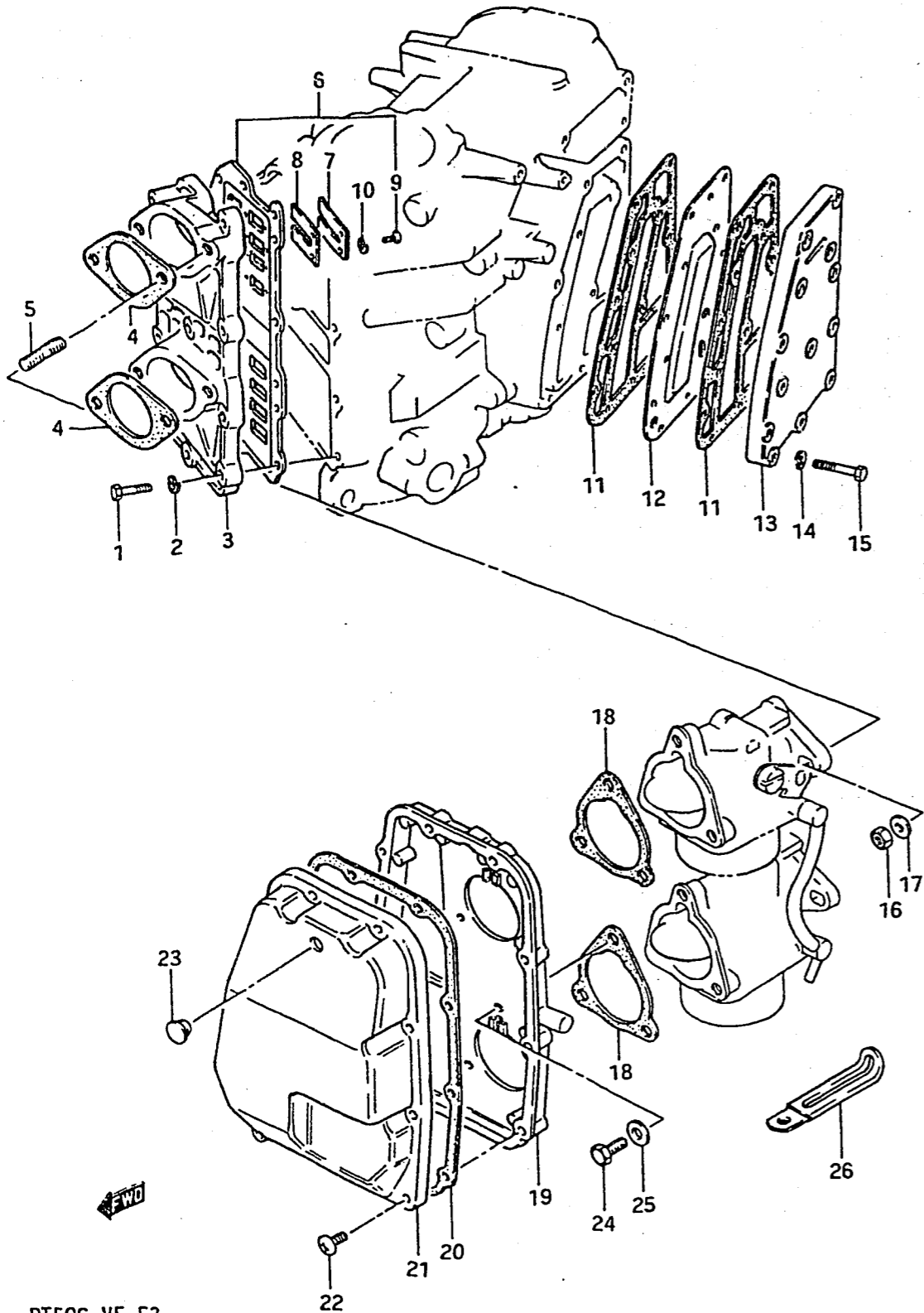


FIG.2 (B- 5) CRANKSHAFT

REF.NO.	PART NO.	DESCRIPTION	Q'TY	REMARKS
16	16321-95301	.GEAR, oil pump drive	1	
17	09262-30065	.BEARING	1	
18	09262-35023	.BEARING	1	
19	09289-45001	.OIL SEAL	1	
20	08211-28362	.WASHER	4	
21	05421-08001	.KEY	1	
22	08211-30422	.THRUST WASHER	1	
23	09285-17002	OIL SEAL	1	
24	09283-30045	OIL SEAL	1	
25	09283-35021	OIL SEAL (35x55x7)	1	
26	08211-30401	THRUST WASHER	1	
27	09390-72008	C RING	2	
28	08331-11308	CIRCLIP	1	
29	09282-17004	OIL SEAL (17x28x6)	2	
30	11431-95300	HOUSING, under oil seal	1	
31	09280-50004	O RING	1	

FIG.3



DT50C VE E3

FIG.3 (B- 6) INLET CASE/EXHAUST COVER

REF.NO.	PART NO.	DESCRIPTION	Q'TY	REMARKS
1	01107-06308	BOLT	11	
2	08321-21068	LOCK WASHER	11	
3	13110-95221-02M	CASE, inlet	1	
4	13125-93000	GASKET, carburetor	2	
5	01411-08208	STUD BOLT	2	
6	13150-95302	VALVE ASSY, reed	1	
7	13152-95500	.STOPPER, reed valve	8	
8	13153-95300	.VALVE, reed	8	
9	02112-03068	.SCREW	16	
10	08321-21038	.LOCK WASHER	16	
11	14151-95200	GASKET, exhaust cover	2	
12	14131-95200	PLATE, exhaust cover	1	
13	14141-95200-02M	COVER, exhaust	1	
14	08321-21068	LOCK WASHER	13	
15	01107-06308	BOLT	13	
16	08310-22088	NUT	4	
17	08322-11088	WASHER	4	
18	13855-93300	GASKET, silencer	2	
19	13811-95220	CASE, silencer	1	
20	13853-95310	GASKET, silencer	1	
21	13812-95310	COVER, silencer	1	
22	09128-05007	SCREW	9	
23	09250-10010	PLUG	2	
24	01107-06168	BOLT	6	
25	08322-21068	WASHER	6	
26-1	09404-06204	CLAMP	1	
26-2	09404-06413	CLAMP	1	

DT50C VE E3

Revised 5/10/84

B6

FIG.4

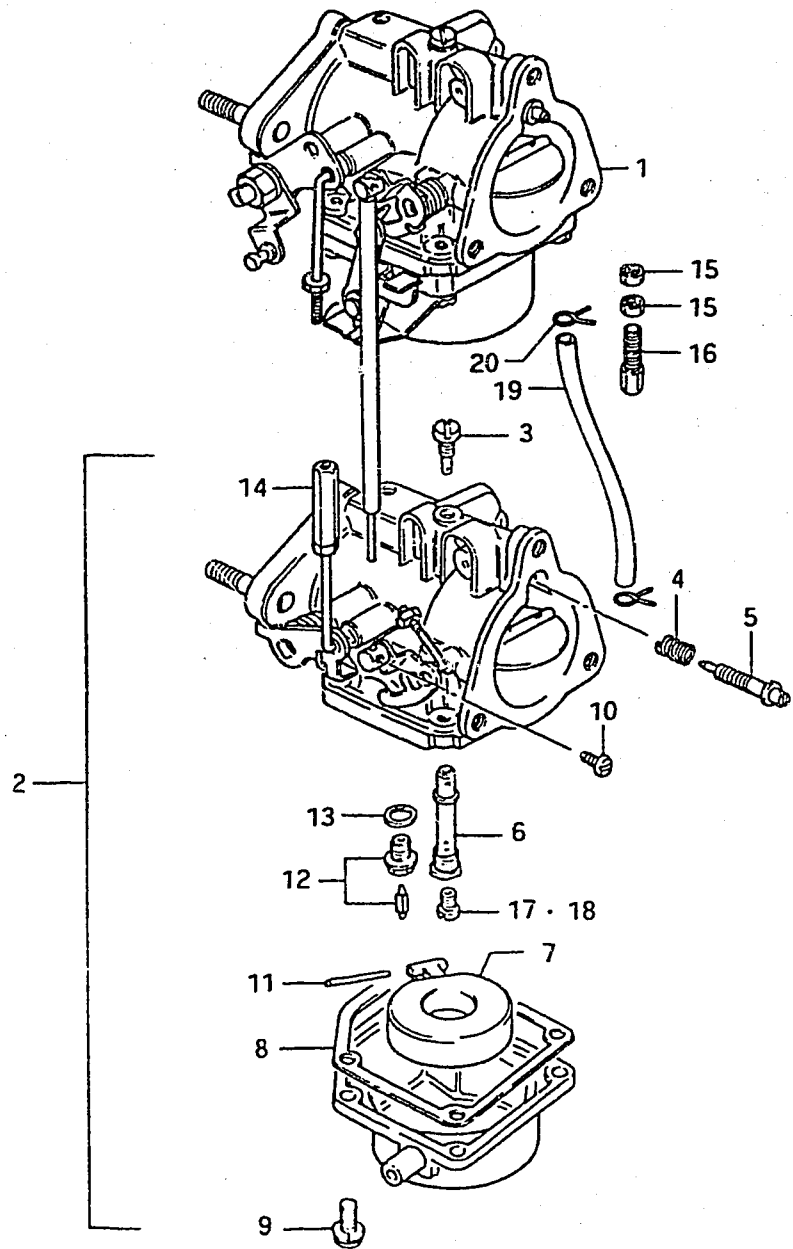


FIG.4 (B-7) CARBURETOR

REF.NO.	PART NO.	DESCRIPTION	Q'TY	REMARKS
1	13201-95230	CARBURETOR ASSY, top	1	
2	13202-95230	CARBURETOR ASSY, 2nd	1	
3	09492-85001	.JET, pilot	2	
4	13271-93311	.SPRING, air screw	2	
5	13269-93311	.SCREW, pilot air	2	
6	13235-95210	.NOZZLE	2	
7	13250-93012	.FLOAT	2	
8	13251-93310	.GASKET, float chamber	2	
9	13249-95520	.SCREW	8	
10	13429-95510	.SCREW	2	
11	13254-93010	.PIN, float	2	
12	13370-28110	.VALVE ASSY, needle	2	
13	13392-58600	.GASKET, valve seat	2	
14	13582-95219	.NUT	1	2ND
15	13661-03010	.NUT	2	TOP
16	13577-15010	.THROTTLE, adjuster	1	TOP
17	09491-29007	.JET, main, 145	2	
18-1	09491-30008	JET, main, 150	2	OPT
18-2	09491-28007	JET, main, 140	2	OPT
18-3	09491-27008	JET, main, 135	2	OPT
19	09343-05137	HOSE (5x9x500)	1	L:500-110
20	09401-09402	CLIP	2	



FIG.5

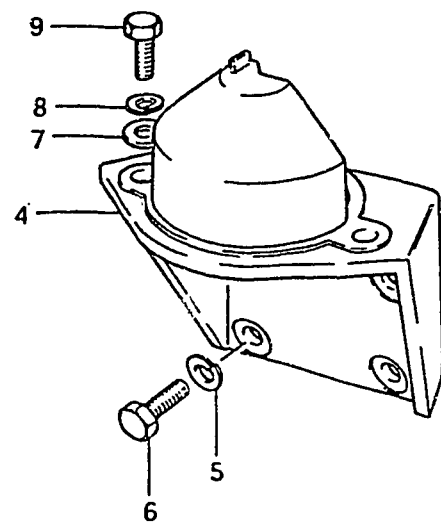
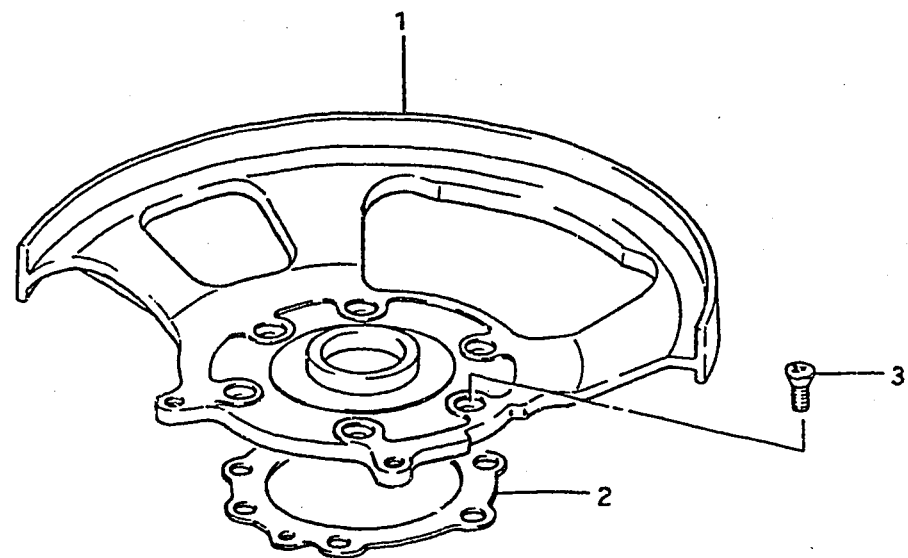
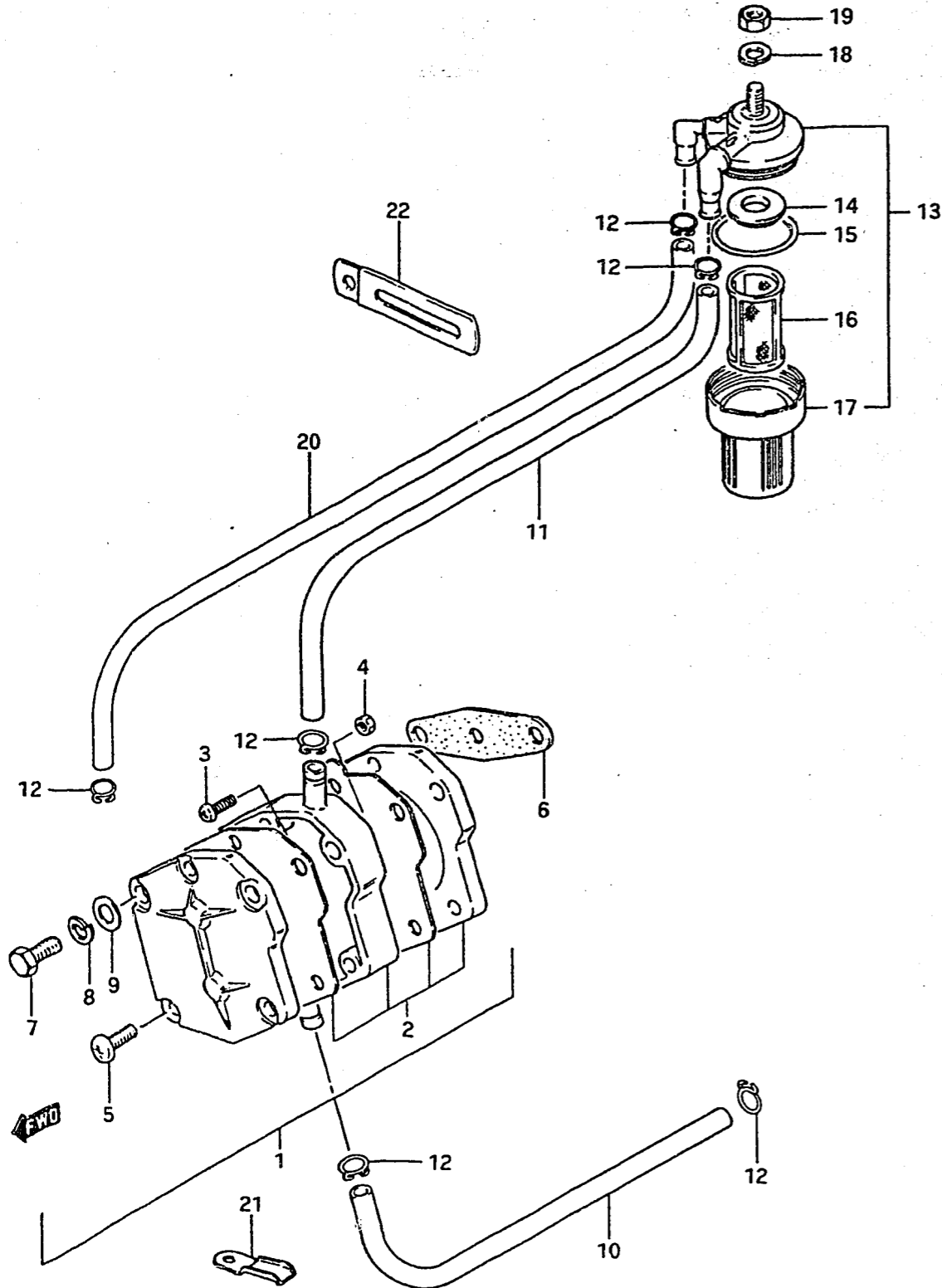


FIG.5 (B- 8) UPPER OIL SEAL HOUSING

REF.NO.	PART NO.	DESCRIPTION	Q'TY	REMARKS
1	11411-95312-02M	HOUSING, upper oil seal	1	
2	11421-95200	GASKET, magneto case	1	
3	02122-06168	SCREW	6	
4	31911-95300-02M	BRACKET, starting motor	1	
5	08322-11088	WASHER	4	
6	01107-C8208	BOLT	4	
7	08322-11088	WASHER	1	
8	08321-21088	LOCK WASHER	1	
9	01107-08258	BOLT	1	

FIG.6



DT50C VE E3

FIG.6 (B- 9) FUEL PUMP

REF.NO.	PART NO.	DESCRIPTION	Q'TY	REMARKS
1	15100-94301	PUMP ASSY, fuel	1	
2	15170-94311	.DIAPHRAGM SET	1	
3	15183-94301	.SCREW	2	
4	15186-94300	.NUT	2	
5	15851-94300	.SCREW	3	
6	15321-99700	GASKET, fuel pump	1	
7	01107-06408	BOLT	2	
8	08321-21068	LOCK WASHER	2	
9	08322-21068	WASHER	2	
10	09343-05137	HOSE (PUMP-CARBURETOR)	1	L:500-450
11	09343-05137	HOSE (FILTER-PUMP)	1	L:500-85
12	09401-09402	CLIP	6	
13	15410-93400	FILTER, fuel	1	
14	15416-93400	.PACKING, filter	1	
15	15415-93400	.O RING	1	
16	15412-93400	.STRAINER	1	
17	15413-93400	.CUP	1	
18	08321-21088	LOCK WASHER	1	
19	08310-22088	NUT	1	
20	09343-05137	HOSE (CONNECTOR-FILTER)	1	L:500-420
21	09403-07309	CLAMP	1	
22	09404-06203	CLAMP	1	

DT50C VE E3

FIG.7

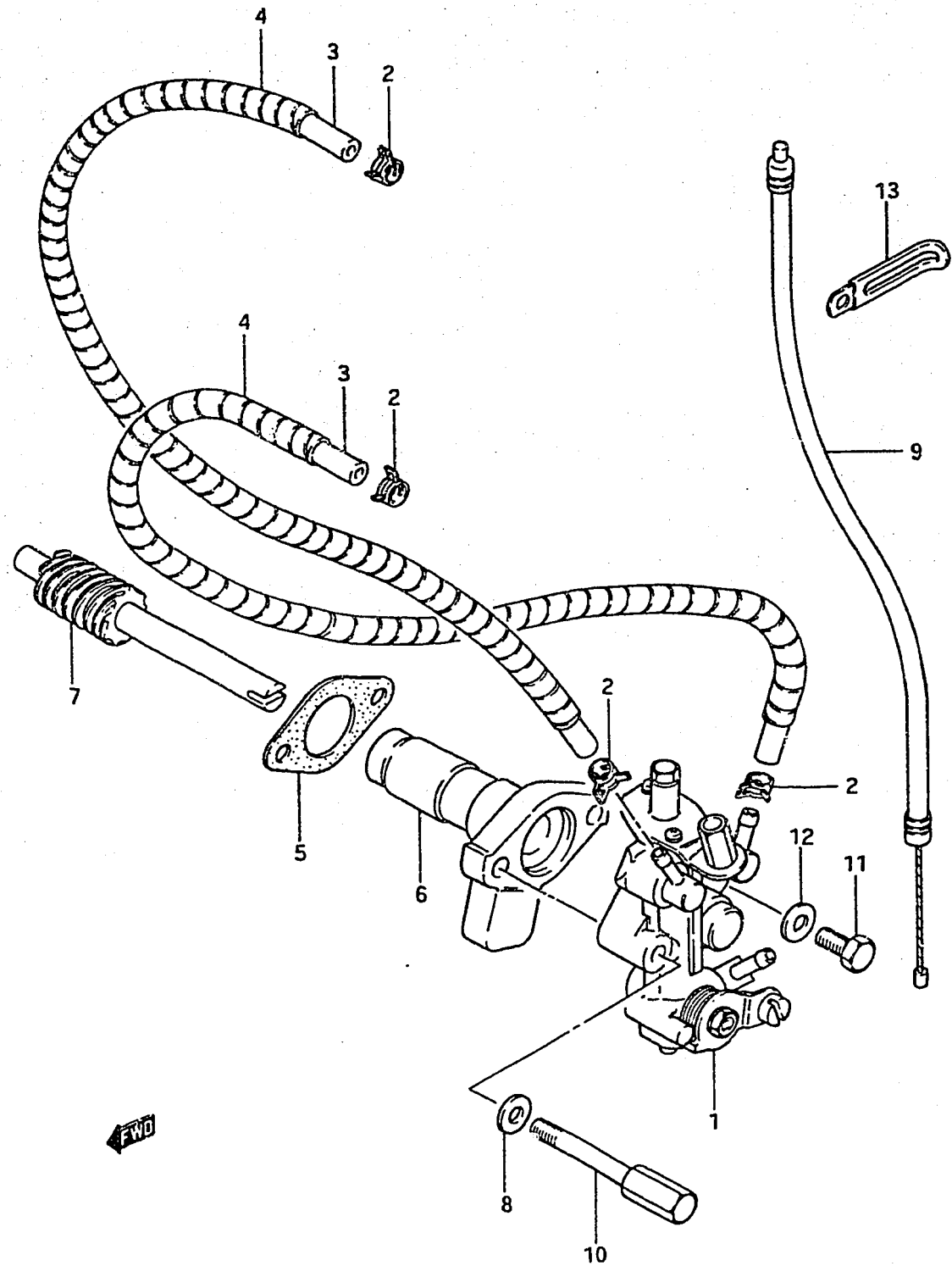
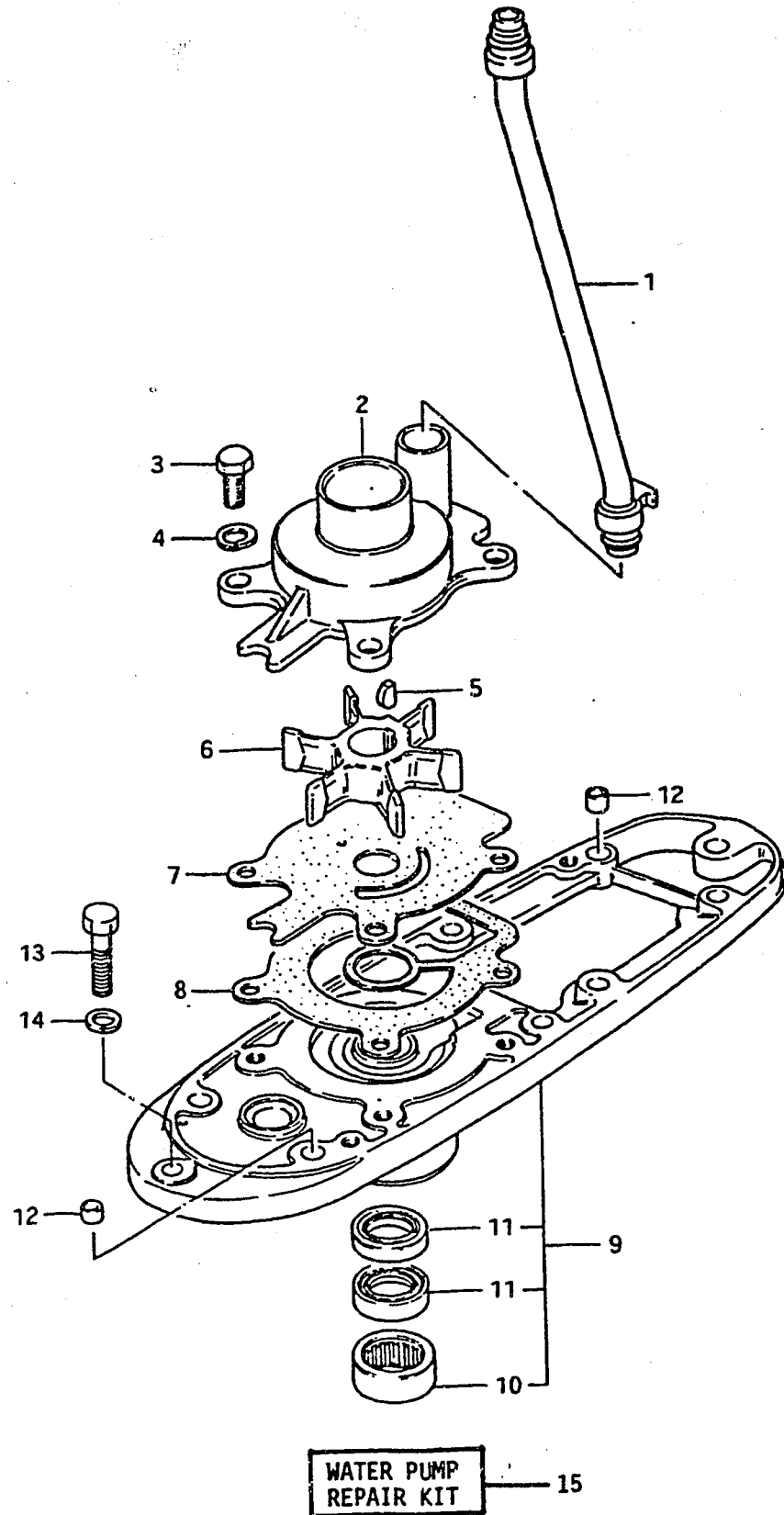


FIG.7 (B-10) OIL PUMP

REF.NO.	PART NO.	DESCRIPTION	Q'TY	REMARKS
1	16100-95200	PUMP ASSY, oil	1	
2	09401-06405	CLIP	4	
3	09344-02013	HOSE	2	L:420
4	16911-94500	PROTECTOR, oil hose, No.1	2	
5	16731-95300	GASKET, oil pump retainer	1	
6	16340-95302	RETAINER, oil pump	1	
7	16331-95303	GEAR, driven	1	
8	08322-21058	WASHER	1	
9	16420-95301	CABLE, oil pump	1	
10	09119-05013	BOLT	1	
11	01107-05308	BOLT	1	
12	08322-21058	WASHER	1	
13	09404-06203	CLAMP	1	

FIG. 8

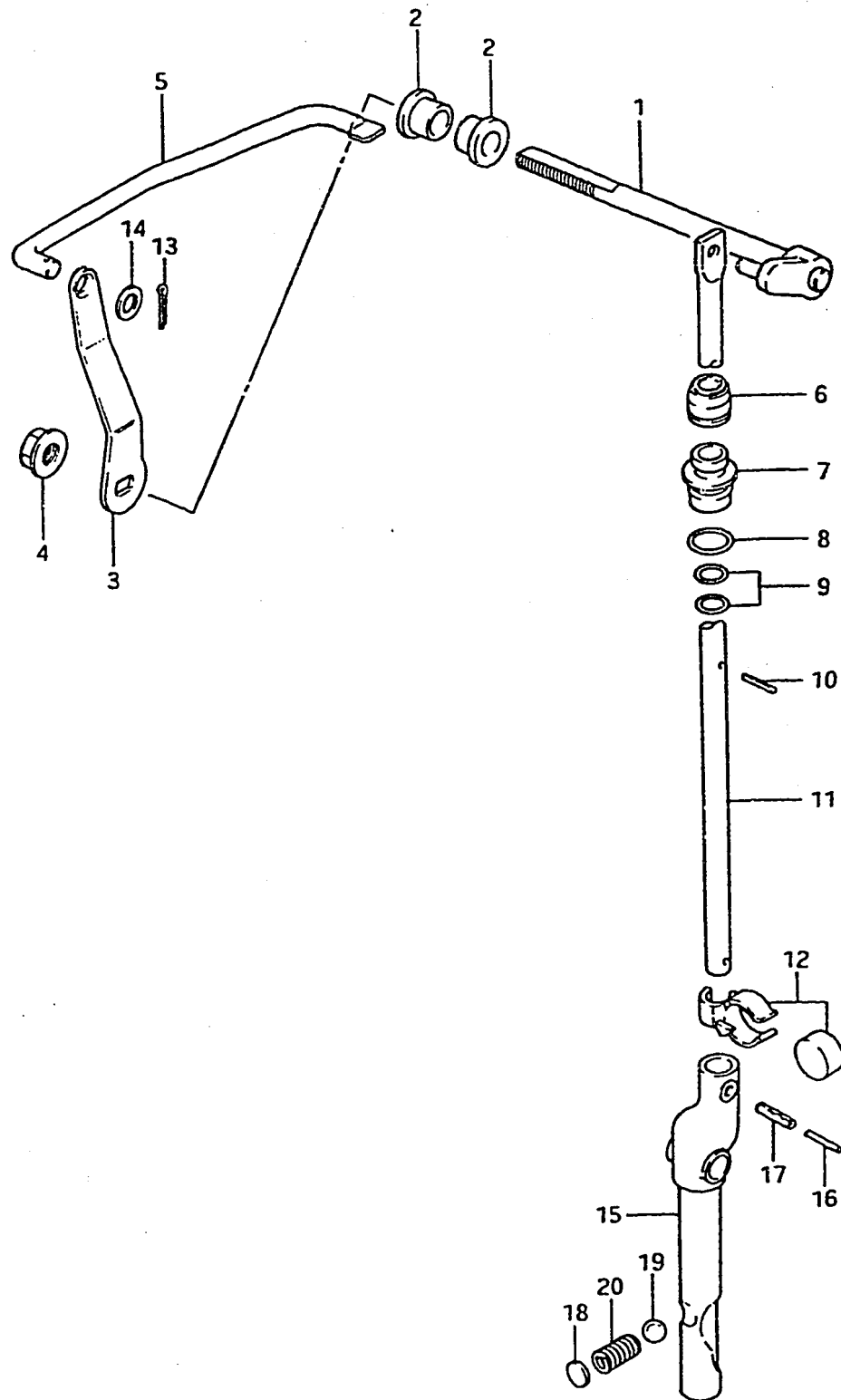


WATER PUMP REPAIR KIT 15

FIG. 8 (B-11) WATER PUMP

REF.NO.	PART NO.	DESCRIPTION	Q'TY	REMARKS
1	17560-95500	TUBE, water	1	
2	17411-95204	CASE, water pump	1	
3	09100-08139	BOLT (8x20)	4	
4	09162-08003	LOCK WASHER	4	
5	09420-04005	KEY	1	
6	17461-95501	IMPELLER, water pump	1	
7	17471-95503	PANEL, under	1	
8	17472-95310	GASKET, panel	1	
9	56130-95300-02M	HOUSING, drive shaft bearing	1	
10	09263-25025	.BEARING (25x33x15)	1	
11	09282-20006	.OIL SEAL	2	
12	09205-11001	SPRING PIN	2	
13	09100-08232	BOLT	1	
14	09162-08003	LOCK WASHER	1	
15	17400-95350	Water Pump Repair Kit	1	OPT

FIG. 9



11

FIG. 9 (C- 2) CLUTCH

REF.NO.	PART NO.	DESCRIPTION	Q'TY	REMARKS
1	21210-95201	SHAFT, clutch	1	
2	09306-08003	BUSH	2	
3	21213-95301	ARM, clutch shaft side	1	
4	08319-31087	NUT	1	
5	23111-95301	LINK, clutch	1	
6	25223-95200	DUST SEAL, shift rod	1	
7	25211-95202	GUIDE, shift rod	1	
8	09280-11001	O RING (D:2.4, ID:10.8)	1	
9	09280-08005	O RING (D:1.8, ID:7.6)	2	
10	09205-02004	SPRING PIN	1	
11	25111-95502	ROD, clutch	1	
12	25230-94300	MAGNET SET, gear case	1	
13	09385-06003	PIN	1	
14	08322-21068	WASHER	1	
15	25310-95300	CAM, shift	1	
16	09205-02006	SPRING PIN	1	
17	09205-03027	PIN, spring	1	
18	21121-93300	PLATE, clutch notch	1	
19	09260-10005	STEEL BALL	1	
20	09440-07033	SPRING	1	

FIG. 10

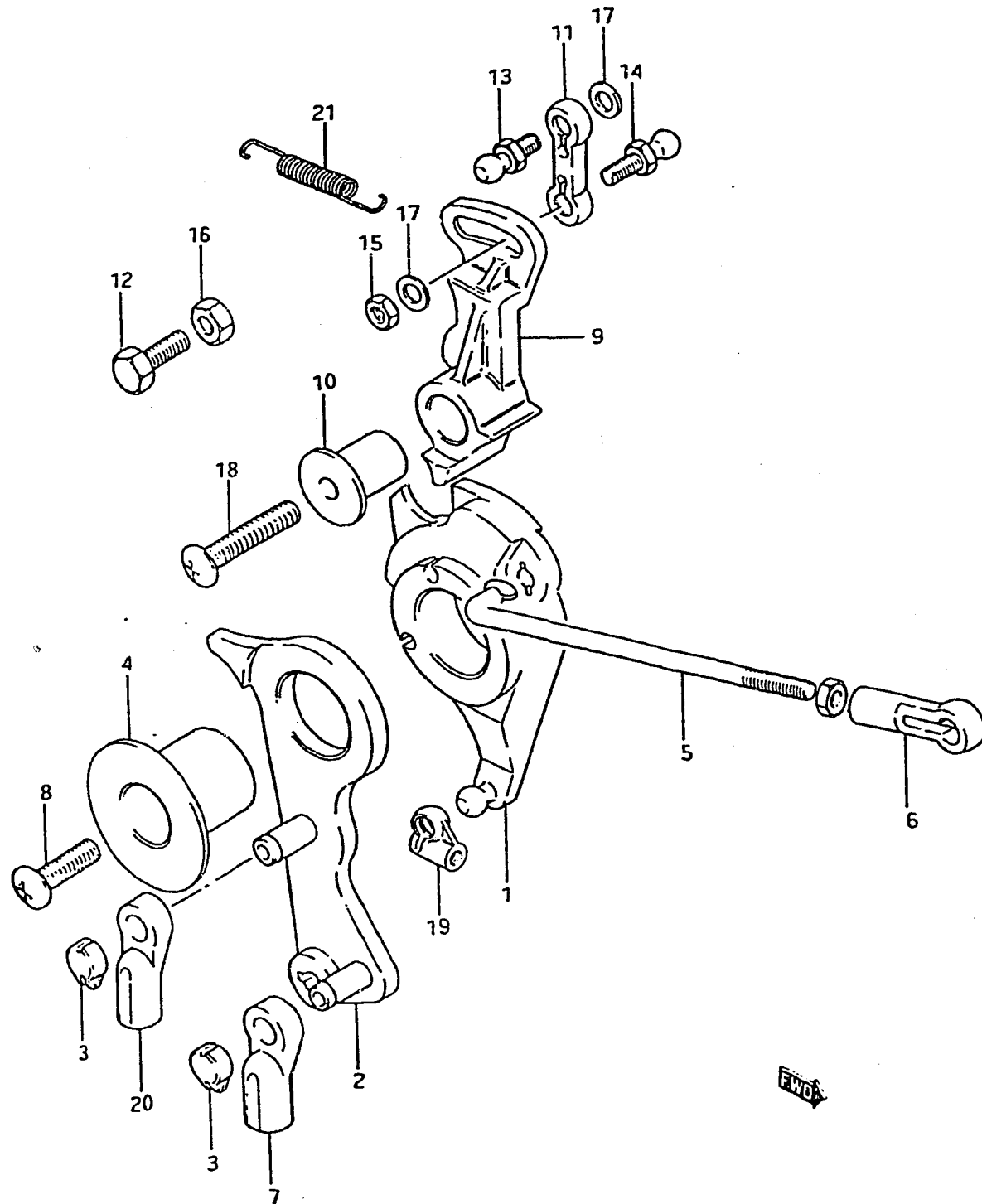


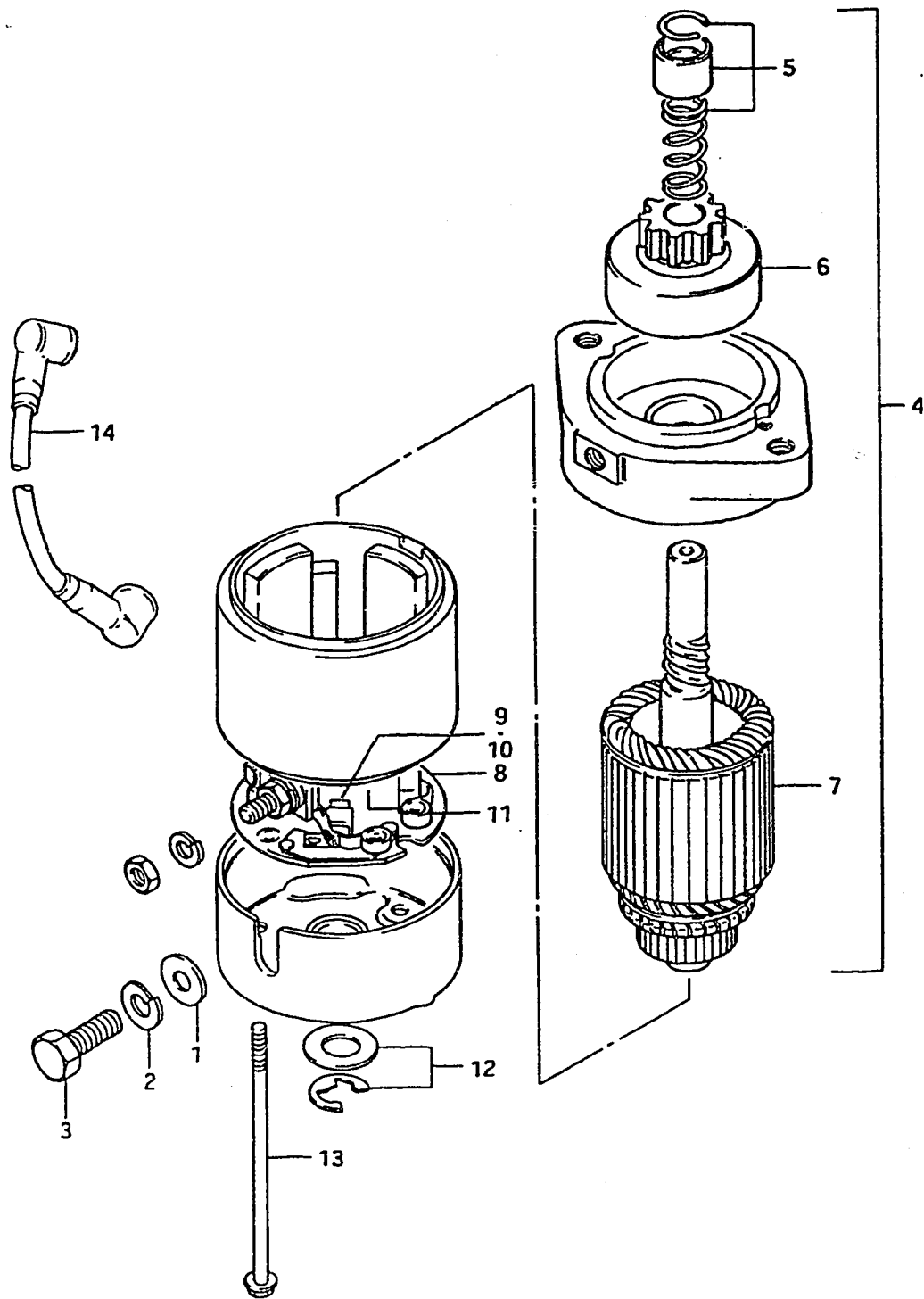
FIG.10 (C- 3) THROTTLE LINK

REF.NO.	PART NO.	DESCRIPTION	Q'TY	REMARKS
1	19111-95302	LEVER, throttle control	1	
2	19112-95302	LEVER, clutch control	1	
3	19113-95300	CAP, connector	2	
4	19114-95300	BUSH, throttle lever	1	
5	19135-95201	ROD, throttle lever	1	
6	67463-95200	CONNECTOR, throttle control	1	
7	67467-95201	CONNECTOR, remo-cont cable	1	
8	02142-06258	SCREW	1	
9	19115-95302	LEVER, spark advance	1	
10	19116-95300	BUSH, advance lever	1	
11	67468-95301	CONNECTOR, spark advance	1	
12	09100-06083	BOLT (6x30)	1	
13	09119-05010	BOLT	1	
14	09119-05010	BOLT	1	
15	09140-05001	NUT	1	
16	09140-06004	NUT	1	
17	09160-05010	WASHER (5.5x10x0.8)	2	
18	02142-06357	SCREW	1	
19	67467-95301	CONNECTOR, remo-cont cable	1	
20	23311-95201	CONNECTOR, clutch link	1	
21	09443-13010	SPRING	1	

FIG. 11

13

FIG.11 (C- 4) STARTING MOTOR



REF.NO.	PART NO.	DESCRIPTION	Q'TY	REMARKS
1	08322-11088	WASHER	1	
2	08321-21088	LOCK WASHER	1	
3	01107-08258	BOLT	1	
4	31100-95310	MOTOR ASSY, starting	1	
5	31312-95241	.STOPPER SET, pinion	1	
6	31320-94510	.PINION ASSY	1	
7	31310-95310	.ARMATURE	1	
8	31173-95310	.HOLDER ASSY, brush	1	
9	31131-95310	..BRUSH (+)	1	
10	31132-95310	..BRUSH (-)	1	
11	31135-95310	..SPRING, brush	3	
12	31360-95520	.WASHER KIT	1	
13	31281-95310	.BOLT	2	
14	33820-95301	CABLE (+) TERMINAL RELAY	1	L:180

FIG. 12

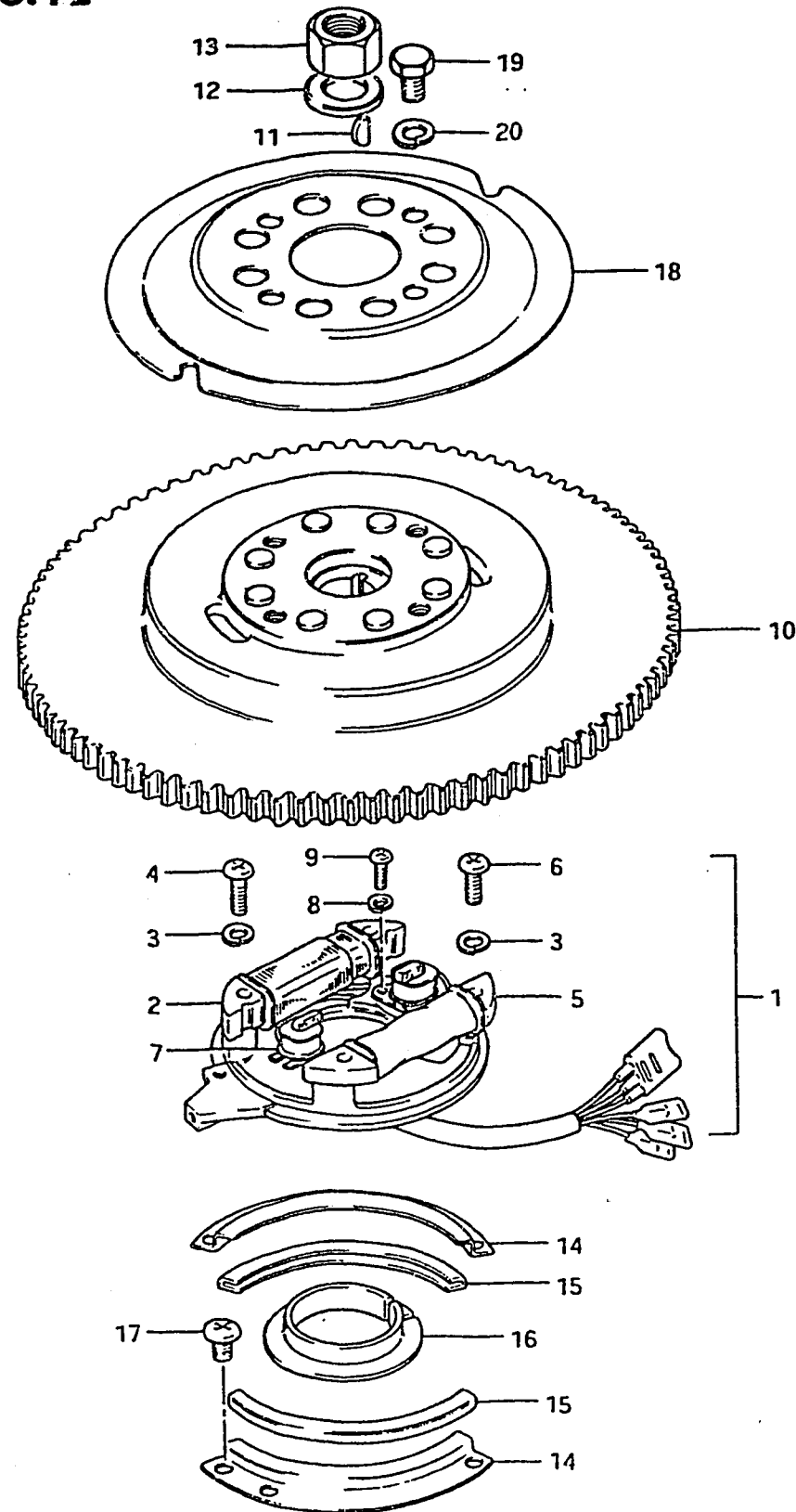


FIG. 12 (C- 5) MAGNETO

REF.NO.	PART NO.	DESCRIPTION	Q'TY	REMARKS
1	32101-95321	STATOR ASSY	1	
2	32120-95301	.COIL, righting	1	
3	08321-21058	.LOCK WASHER	4	
4	02112-05258	.SCREW	2	
5	32140-95320	.COIL, ignition primary	1	
6	02112-05208	.SCREW	2	
7	32150-95303	.SENSOR, ignition timing	1	
8	08321-21058	.LOCK WASHER	4	
9	02112-05108	.SCREW	4	
10	32102-95304	FLYWHEEL ASSY	1	
11	08341-31059	KEY	1	
12	09180-18007	SPACER (18.5x32x5)	1	
13	08310-12188	NUT	1	
14	32399-95300	RETAINER (3)	2	
15	32396-95302	RETAINER (2)	2	
16	32395-95310	RETAINER (1)	1	
17	02112-06088	SCREW	4	
18	32725-95310	INSULATOR, magneto	1	
19	01107-08168	BOLT	4	
20	08321-21088	LOCK WASHER	4	



FIG. 13

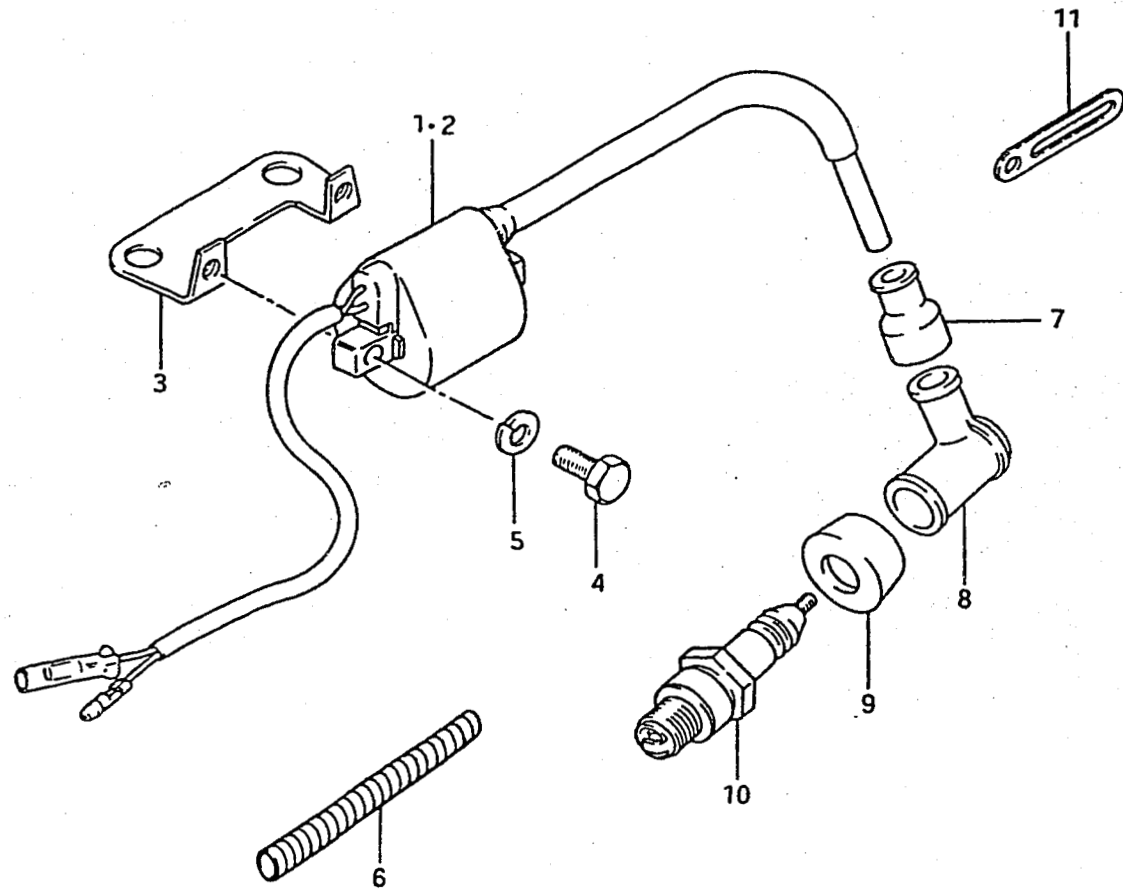
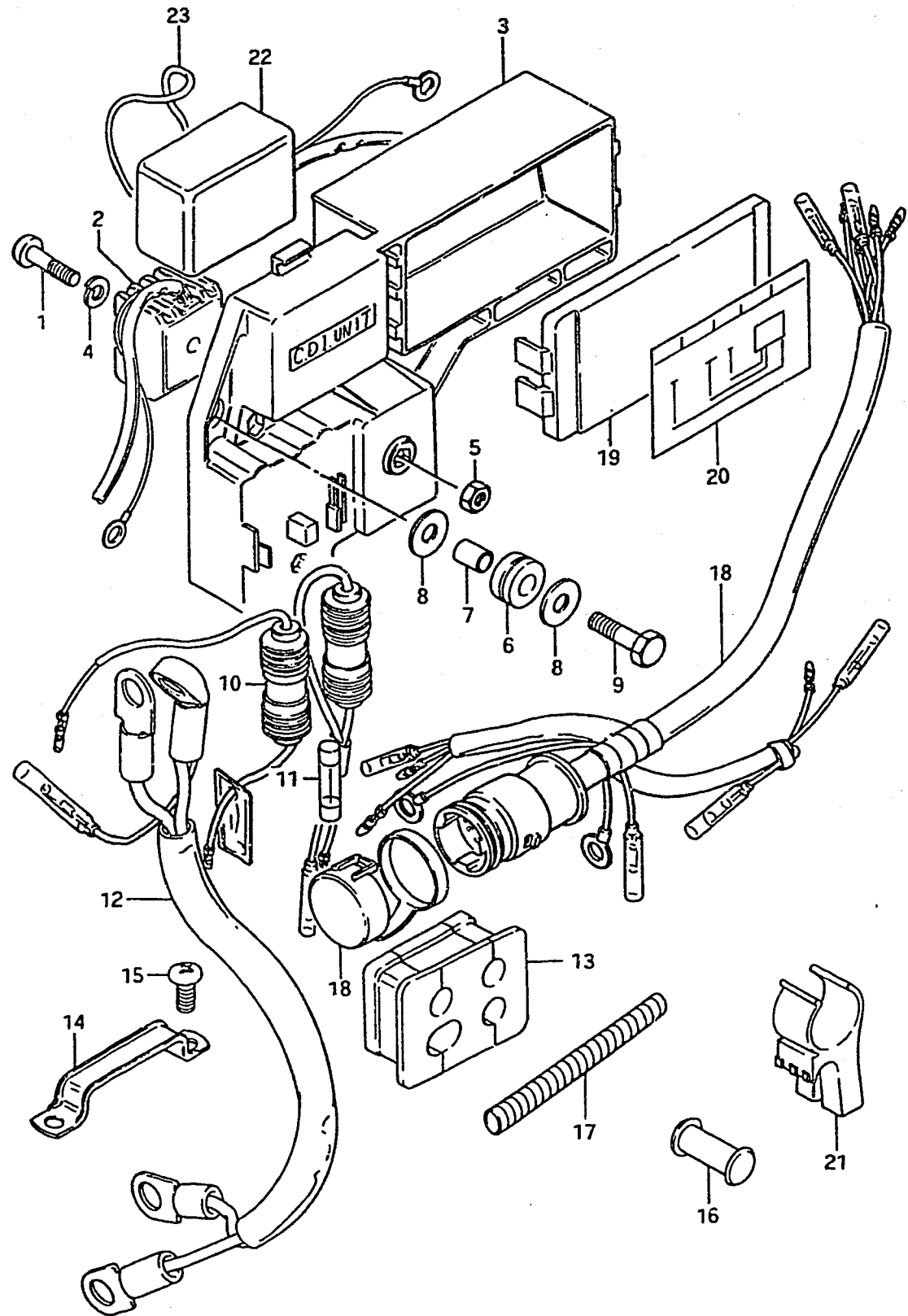


FIG.13 (C- 6) IGNITION COIL

REF.NO.	PART NO.	DESCRIPTION	Q'TY	REMARKS
1	33410-95301	COIL ASSY, ignition, upper	1	
2	33420-95301	COIL ASSY, ignition, lower	1	
3	33445-95301-02M	MOUNTING BRACKET, ig.coil	2	
4	01107-06168	BOLT	4	
5	08321-21068	LOCK WASHER	4	
6	33833-95500	TUBE, 100	1	
7	33542-98000	SEAL, high tension cord	2	
8-1	33510-97313	CAP, spark plug	2	
8-2	33510-22010	CAP, spark plug	1	OPT
9	33541-93310	SEAL, spark plug	2	
10	09482-00278	SPARK PLUG (B8+S1.0)	2	
11	09404-06202	CLAMP (L:60)	2	

FIG.14



DT50C VE E3

FIG.14 (C- 7) ELECTRICAL (1)

REF.NO.	PART NO.	DESCRIPTION	Q'TY	REMARKS
1	02112-05258	SCREW	1	
2	32800-95720	RECTIFIER ASSY	1	
3	32890-95300	HOLDER, electric parts	1	
4	08321-21058	LOCK WASHER	1	
5	08310-11058	NUT	1	
6	09320-08001	CUSHION	3	
7	09180-06044	SPACER (6.1x8x9.5)	3	
8	09160-06052	WASHER (6.5x16x1.2)	3	
9	01107-06258	BOLT	3	
10-1	36740-94500	CASE ASSY, fuse	1	
10-2	36740-95300	CASE ASSY, fuse	1	
11	09481-20001	.FUSE, 20A	1	
12	33810-95301	CABLE ASSY, starting motor	1	
13	36656-95501	GROMMET, wire harness	1	
14	36659-95500	CLAMP	1	
15	09125-06021	SCREW	2	
16	36661-95210	CAP, wire harness grommet	2	
17	33833-95500	TUBE	1	
18	36610-95312	WIRING HARNESS ASSY, remo-cont	1	
19	36650-95300	COVER, joint box	1	
20	36652-95203	LABEL, joint diagram	1	
21	36616-95300	HOLDER, connector	1	
22	32900-95320	C.D.I UNIT	1	
23	09280-52001	O RING (D:3, ID:52.5)	1	

FIG. 15

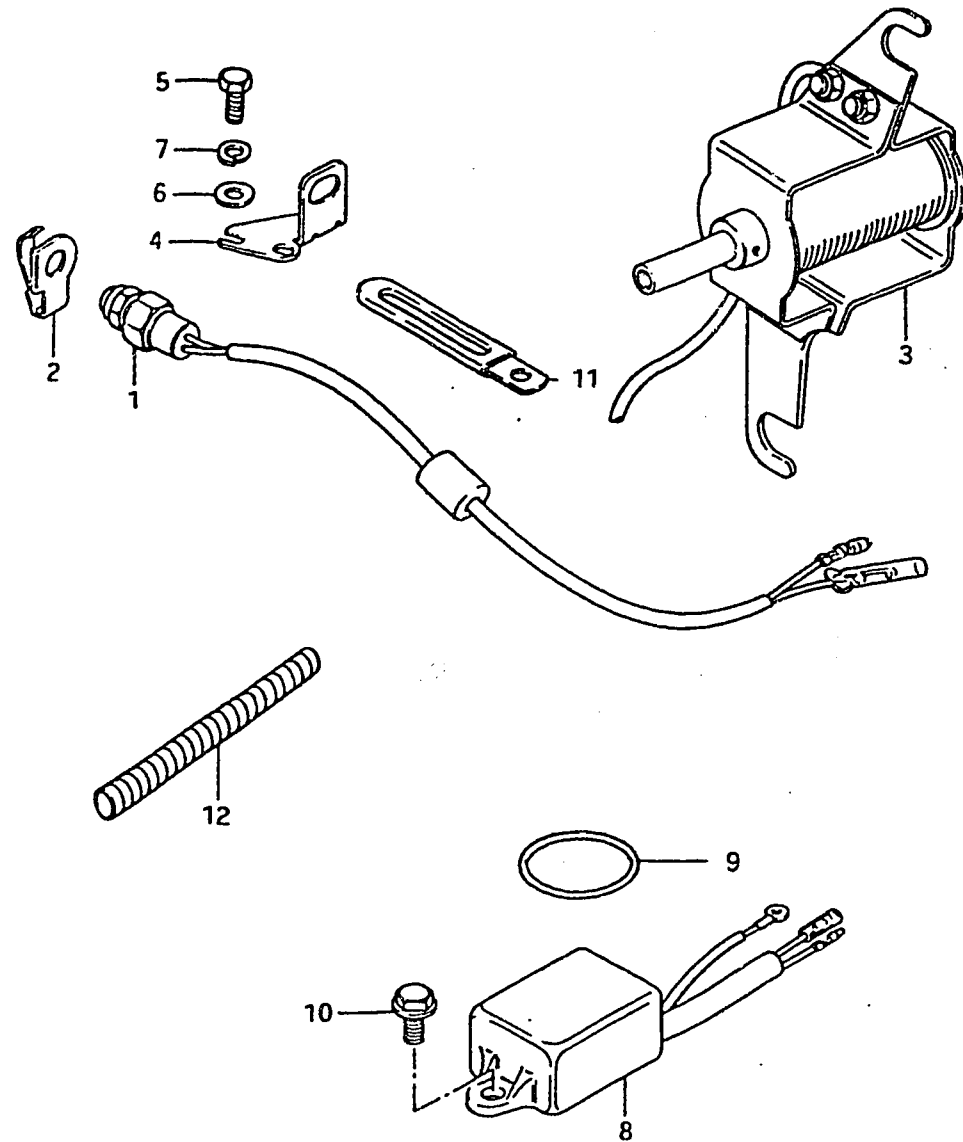


FIG. 15 (C- 8) ELECTRICAL (2)

REF.NO.	PART NO.	DESCRIPTION	Q'TY	REMARKS
1	37721-95253	SWITCH, neutral	1	
2	37725-94301	ACTUATOR, neutral switch	1	
3	38600-95510	SOLENOID ASSY, choke	1	
4	37726-95301	BRACKET, neutral switch	1	
5	09100-06020	BOLT (6x20)	2	
6	09160-06015	WASHER (6.5x13x1)	2	
7	09162-06001	LOCK WASHER	2	
8	32910-95300	CONTROL UNIT	1	
9	09280-35003	BAND	1	
10	01517-06168	BOLT	1	
11	09404-06202	CLAMP, choke solenoid lead	1	
12	34863-94500	TUBE	1	

FIG.16 (C- 9) ELECTRICAL (3)

FIG.16

REF.NO.	PART NO.	DESCRIPTION	Q'TY	REMARKS
1	31805-96350	BRACKET, starting motor	1	
2	31800-94400	RELAY, starter	1	
3	01107-06208	BOLT	1	
4	08321-21068	LOCK WASHER	1	
5	08322-21068	WASHER	1	
6	38422-94510	DAMPER, starter relay	1	

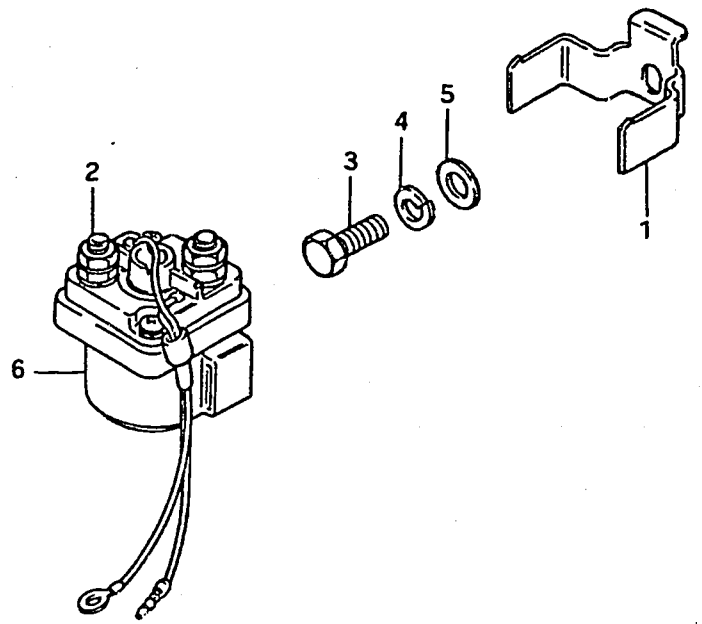


FIG. 17

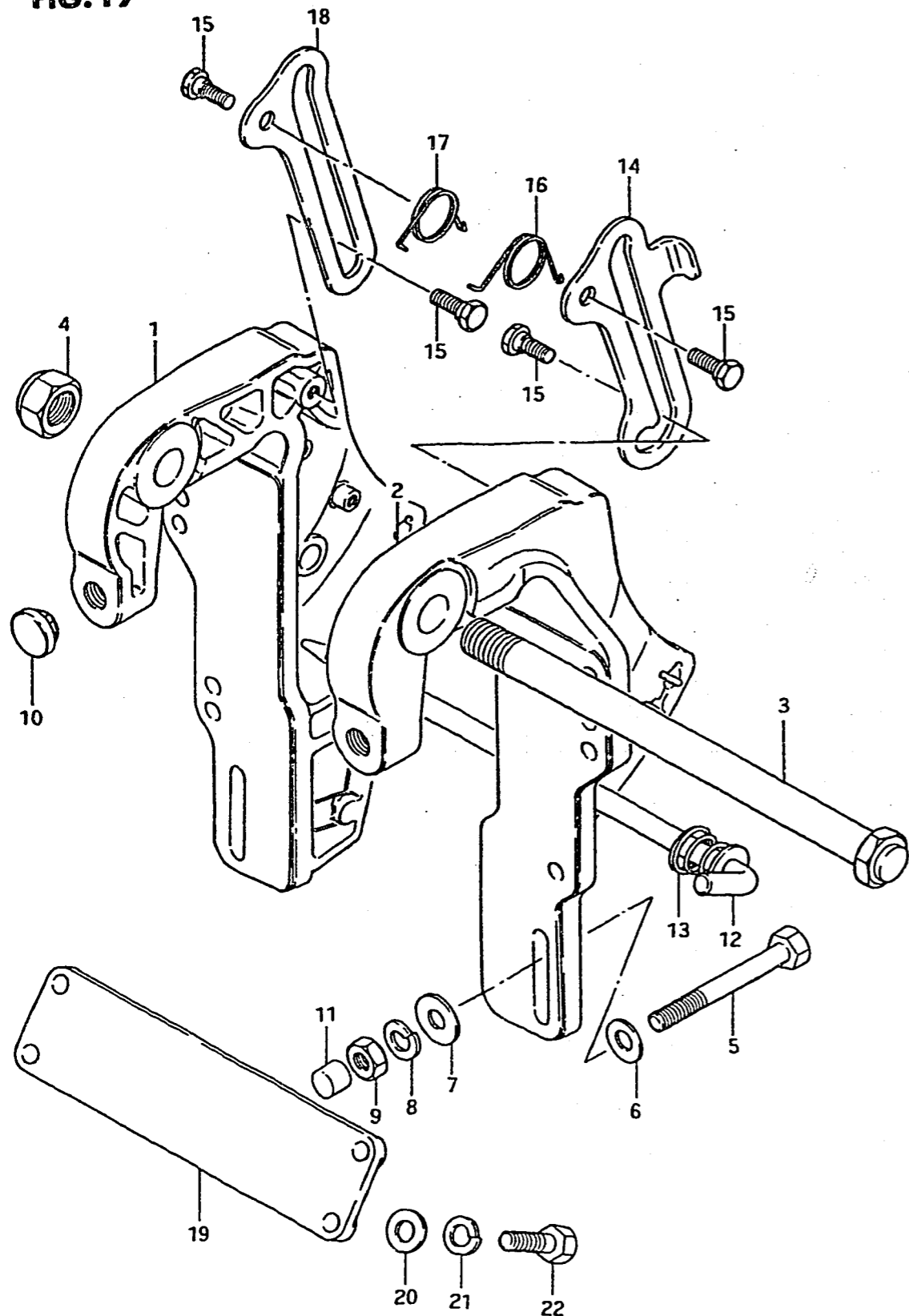


FIG.17 (D- 2) CLAMP BRACKET

REF.NO.	PART NO.	DESCRIPTION	Q'TY	REMARKS
1	41111-95250-02M	BRACKET, clamp, Rh	1	
2	41121-95251-02M	BRACKET, clamp, Lh	1	
3	41130-95250	SHAFT, clamp bracket	1	
4	09159-22002	NUT	1	
5	09100-10175	BOLT (10x100)	4	
6	09160-10082	WASHER (10.5x19x2)	4	
7	09160-10083	WASHER (10.5x30x3.2)	4	
8	09162-10005	LOCK WASHER	4	
9	09140-10031	NUT	4	
10	09250-12006	CAP, clamp bracket	2	
11	41153-95200	CAP, transom	4	
12	45420-95250	PIN, tilt lock	1	
13	09441-21002	.SPRING	1	
14	41222-95202-02M	ARM, tilt lock	1	
15	09111-12008	BOLT	4	
16	09448-27006	SPRING	1	
17	09448-27007	SPRING	1	
18	41223-95203-02M	ARM, tilt stop	1	
19	41311-95250-02M	PLATE, clamp bracket	1	
20	09160-10040	WASHER (10.5x19x2)	4	
21	09162-10002	LOCK WASHER	4	
22	09100-10220	BOLT (10x35)	4	

FIG. 18

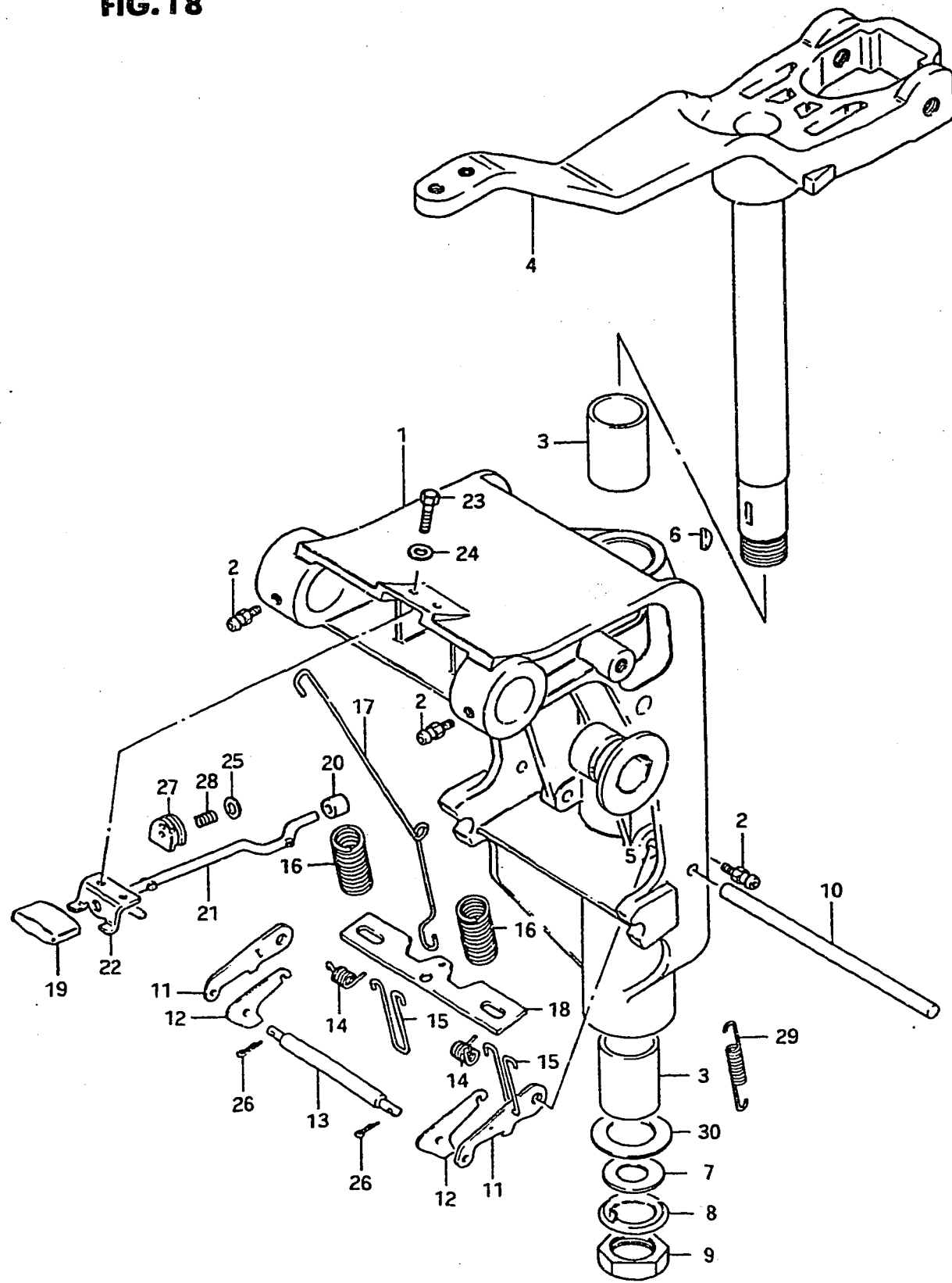


FIG. 18 (D- 3) SWIVEL BRACKET

REF.NO.	PART NO.	DESCRIPTION	Q'TY	REMARKS
1	43111-95250-02M	BRACKET, swivel	1	
2	22511-99000	NIPPLE, grease	3	
3	09306-26005	BUSH	2	
4	43750-95250-02M	BRACKET, steering	1	
5	09306-22002	BUSH, swivel	2	
6	09420-05003	KEY	1	
7	09160-25052	WASHER	1	
8	09166-25007	LOCK WASHER	1	
9	09140-24010	NUT	1	
10	45245-95201	SHAFT, reverse lock arm	1	
11	45241-95202	LINK, reverse lock arm	2	
12	45231-95201	ARM, reverse lock	2	
13	45243-95201	PIN	1	
14	09444-12001	SPRING	2	
15	45244-95200	STOPPER, reverse lock	2	
16	09440-21005	SPRING	2	
17	45252-96302	LINK, release lever	1	
18	45242-95251	PLATE, reverse lock arm	1	
19	45255-96300	KNOB, release lever	1	
20	45257-93900	BUSH, release lever	1	
21	45260-95250	LEVER, release	1	
22	45311-93900-02M	BRACKET, release lever	1	
23	09100-05011	BOLT (5x12)	2	
24	09160-05010	WASHER	2	
25	09160-04012	WASHER (4.2x10x1)	1	
26	09204-01001	COTTER PIN	3	
27	09319-04001	BUSH	1	
28	09440-04021	SPRING	1	
29	09443-05013	SPRING	1	
30-1	09181-26006	SHIM (0.3)	0-2	
30-2	09181-26007	SHIM (0.5)	0-2	

FIG.19

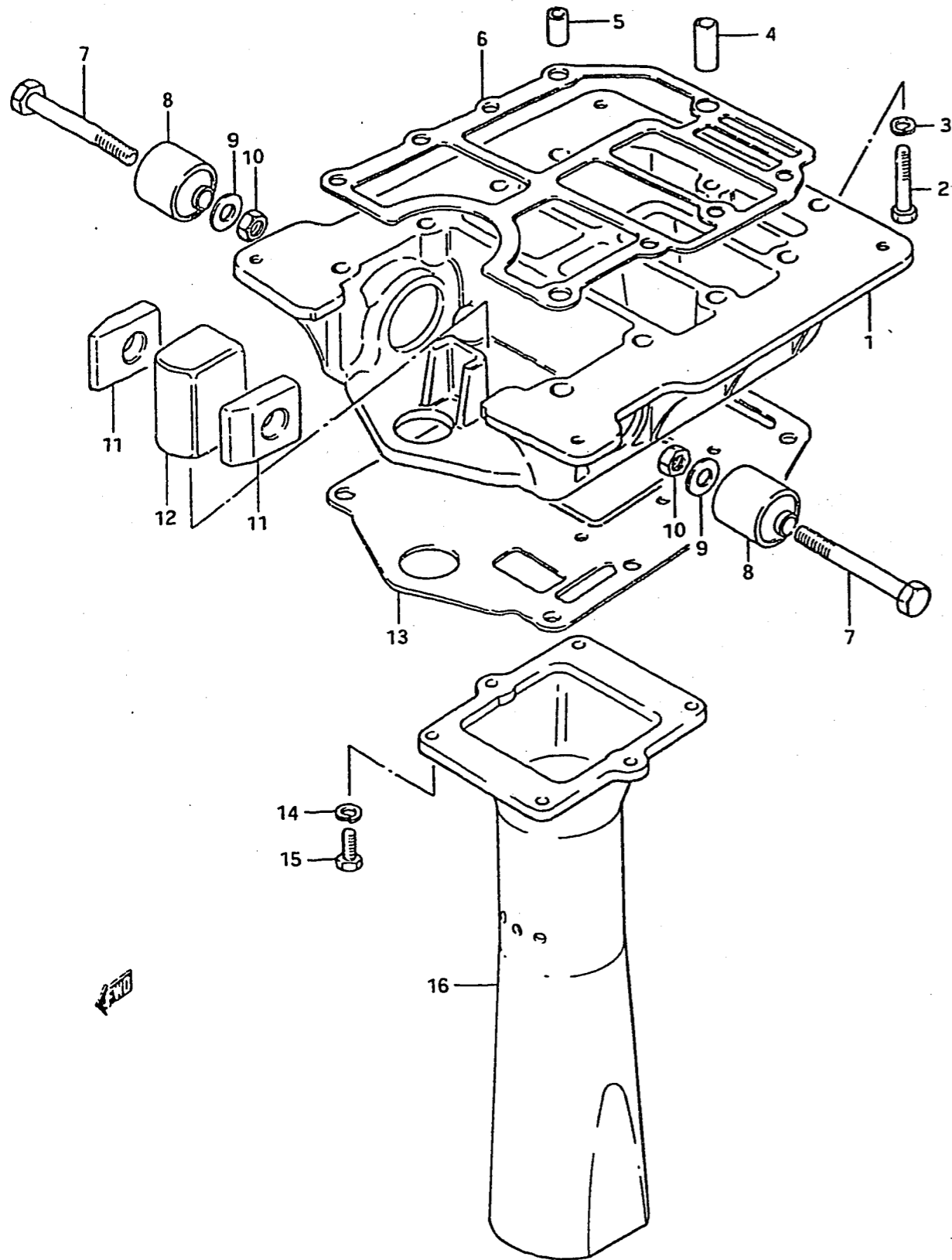


FIG.19 (D- 4) ENGINE HOLDER

REF.NO.	PART NO.	DESCRIPTION	Q'TY	REMARKS
1	51111-95205-02M	HOLDER, engine	1	
2	09100-08224	BOLT (8x35)	2	
3	09162-08003	LOCK WASHER	2	
4	09206-11005	PIN (11x20)	1	
5	09205-11001	SPRING PIN	2	
6	51211-95203	GASKET, engine holder	1	
7	09100-10208	BOLT	2	
8	54130-95201	MOUNT, upper	2	
9	09160-10082	WASHER (10.5x19x2)	2	
10	09140-10031	NUT	2	
11	54136-95200	STOPPER, upper mount	2	
12	54135-95200	MOUNT, upper thrust	1	
13	52113-95300	GASKET	1	
14	09162-06001	LOCK WASHER	6	
15	09100-06020	BOLT (6x20)	6	
16	14211-95342	TUBE, exhaust	1	

FIG. 20

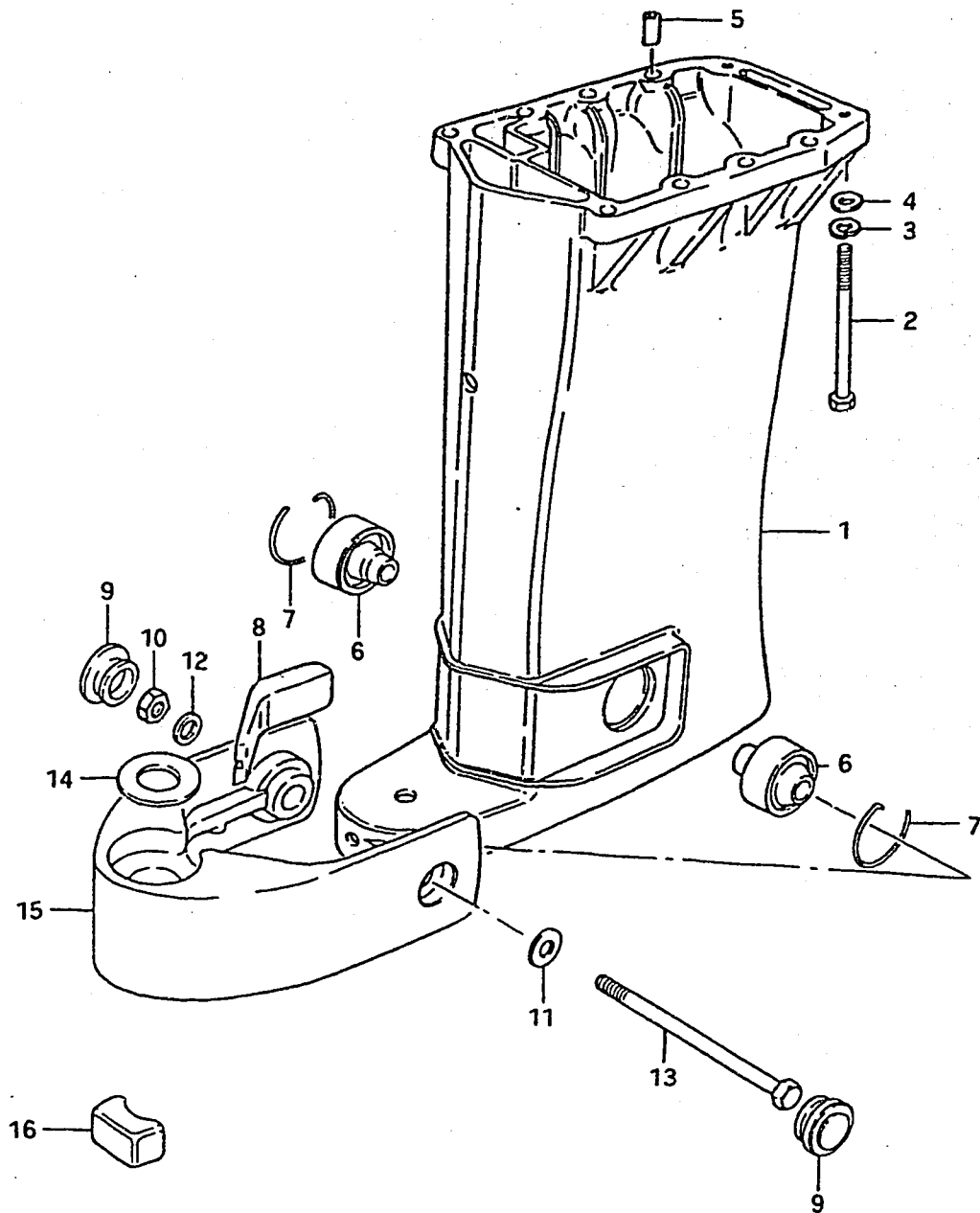
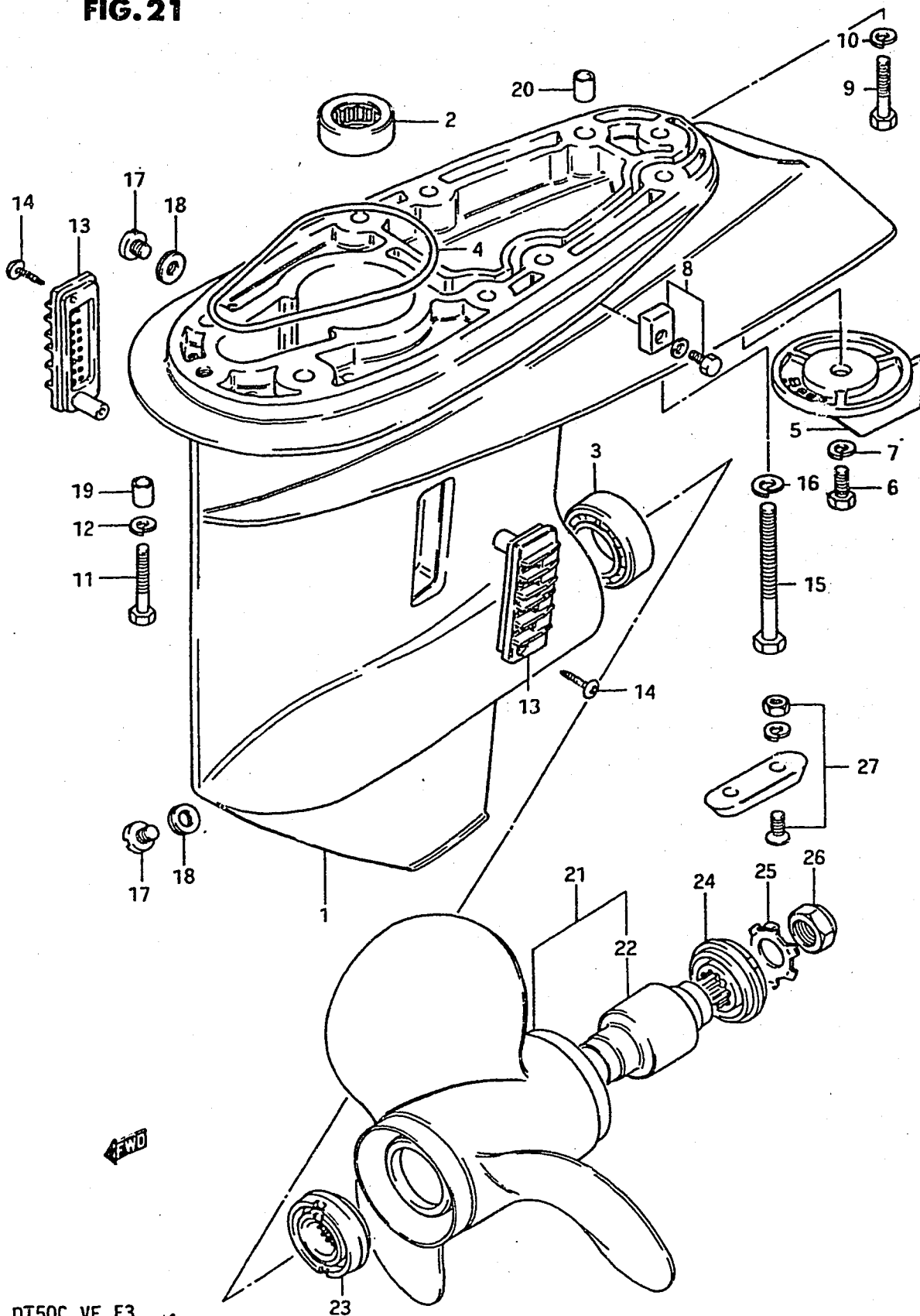


FIG. 20 (D- 5) DRIVESHAFT HOUSING

REF.NO.	PART NO.	DESCRIPTION	Q'TY	REMARKS
1	52111-95212-02M	HOUSING, driveshaft	1	
2	09100-08213	BOLT	8	
3	09162-08003	LOCK WASHER	8	
4	09160-08015	WASHER (8.5x16x1.2)	8	
5	09205-11001	SPRING PIN	2	
6	54160-95200	MOUNT, lower	2	
7	09387-46001	SET RING	2	
8	54167-95500	MOUNT, lower, side	2	
9	09250-28001	CAP	2	
10	09140-12029	NUT	1	
11	09160-12033	WASHER (12.5x22x2.5)	1	
12	09160-12066	WASHER	1	
13	09100-12032	BOLT (12x145)	1	
14	54210-95201-02M	BRACKET, lower mount	1	
15	54165-95200	MOUNT, lower thrust	1	



FIG. 21



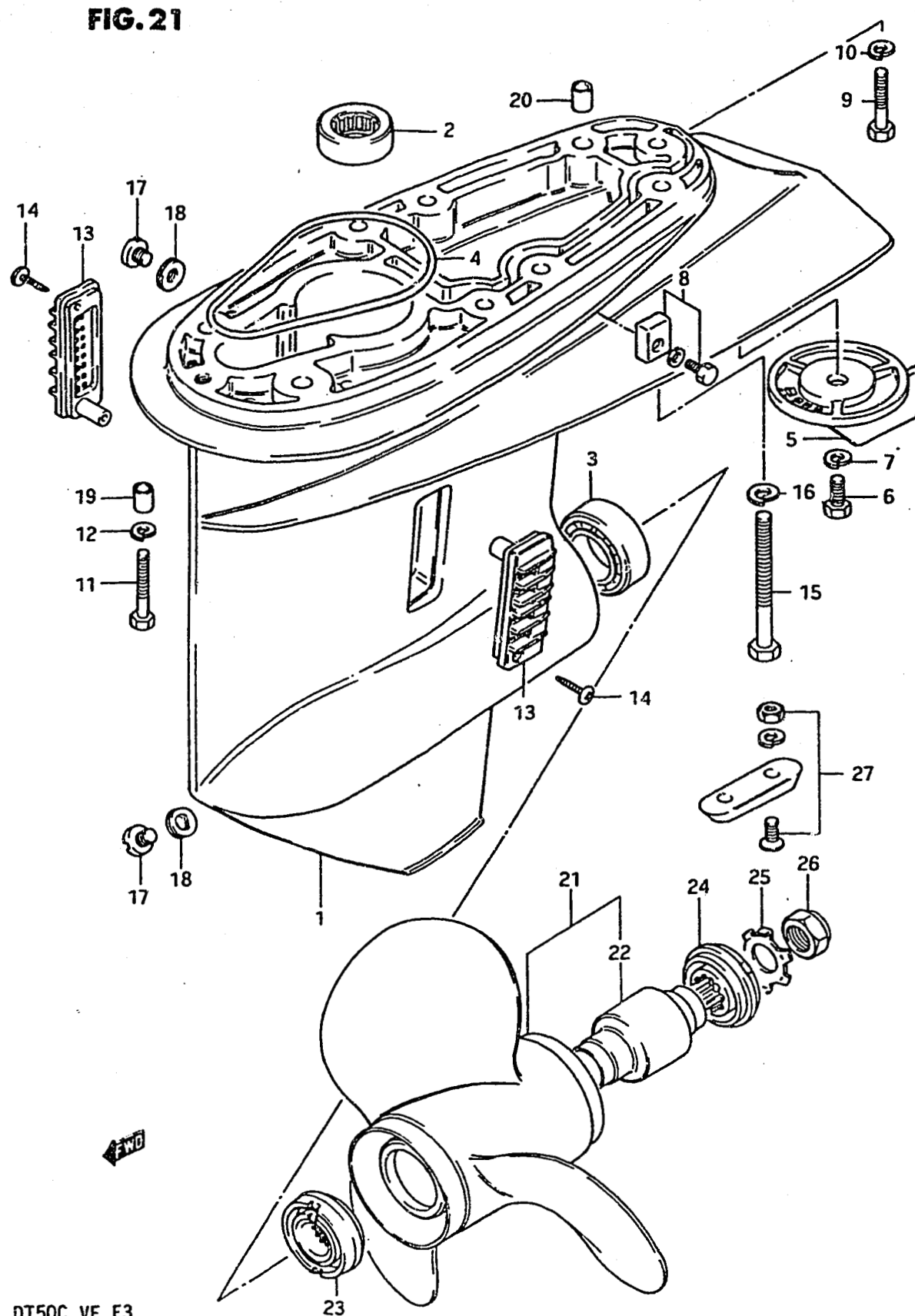
DT50C VE E3

FIG. 21 (D- 6) GEAR CASE

REF.NO.	PART NO.	DESCRIPTION	Q'TY	REMARKS
1	55100-95310-02M	CASE ASSY, gear	1	
2	09263-26008	.BEARING (26x34x30)	1	
3	09265-35001	.BEARING	1	
4	55122-95300	SEAL, gear case	1	
5	55125-95300-02M	TRIM TAB	1	
6	09100-08215	BOLT	1	
7	09162-08003	LOCK WASHER	1	
8	55320-95310	ZINC SET, protection	1	
9	09100-08214	BOLT	2	
10	09162-08007	LOCK WASHER	2	
11	09100-08216	BOLT	6	
12	09162-08003	LOCK WASHER	6	
13	17631-95202	FILTER, water	2	
14	03142-04259	TAPPING SCREW	2	
15	09100-10221	BOLT	1	
16	09162-10002	LOCK WASHER	1	
17	09248-10005	PLUG	3	
18	09168-10022	GASKET (10x17x1.5)	3	
19	09206-11001	PIN	1	
20	09206-11005	PIN (11x20)	1	

DT50C VE E3

FIG. 21 (D- 7) GEAR CASE



REF.NO.	PART NO.	DESCRIPTION	Q'TY	REMARKS
21-1	58100-95211-01T	PROPELLER (3x11-1/2x10)	1	S1000
21-2	58100-95221-01T	PROPELLER (3x11-1/2x11)	1	S1100
21-3	58100-95392-01T	PROPELLER (3x11-5/8x12)	1	S1200
21-4	58100-94312-01T	PROPELLER (3x11-1/2x13)	1	S1301 STD Manual
21-5	58100-95352-01T	PROPELLER (3x11-3/8x14)	1	S1400
21-6	58100-95362-01T	PROPELLER (3x11-1/4x15)	1	S1500
21-7	58100-95372-01T	PROPELLER (3x11-1/8x16)	1	S1600 STD Electric
21-8	58100-95381-01T	PROPELLER (3x11x17)	1	S1700
22	58120-95320	.BUSH, propeller	1	
23	57632-95310	STOPPER, propeller bush	1	
24	57633-94300	SPACER, propeller nut	1	
25	57635-95300	WASHER, propeller nut lock	1	
26	09159-18004	NUT	1	
27	55300-95500	ZINC, protector	1	OPT

FIG. 22

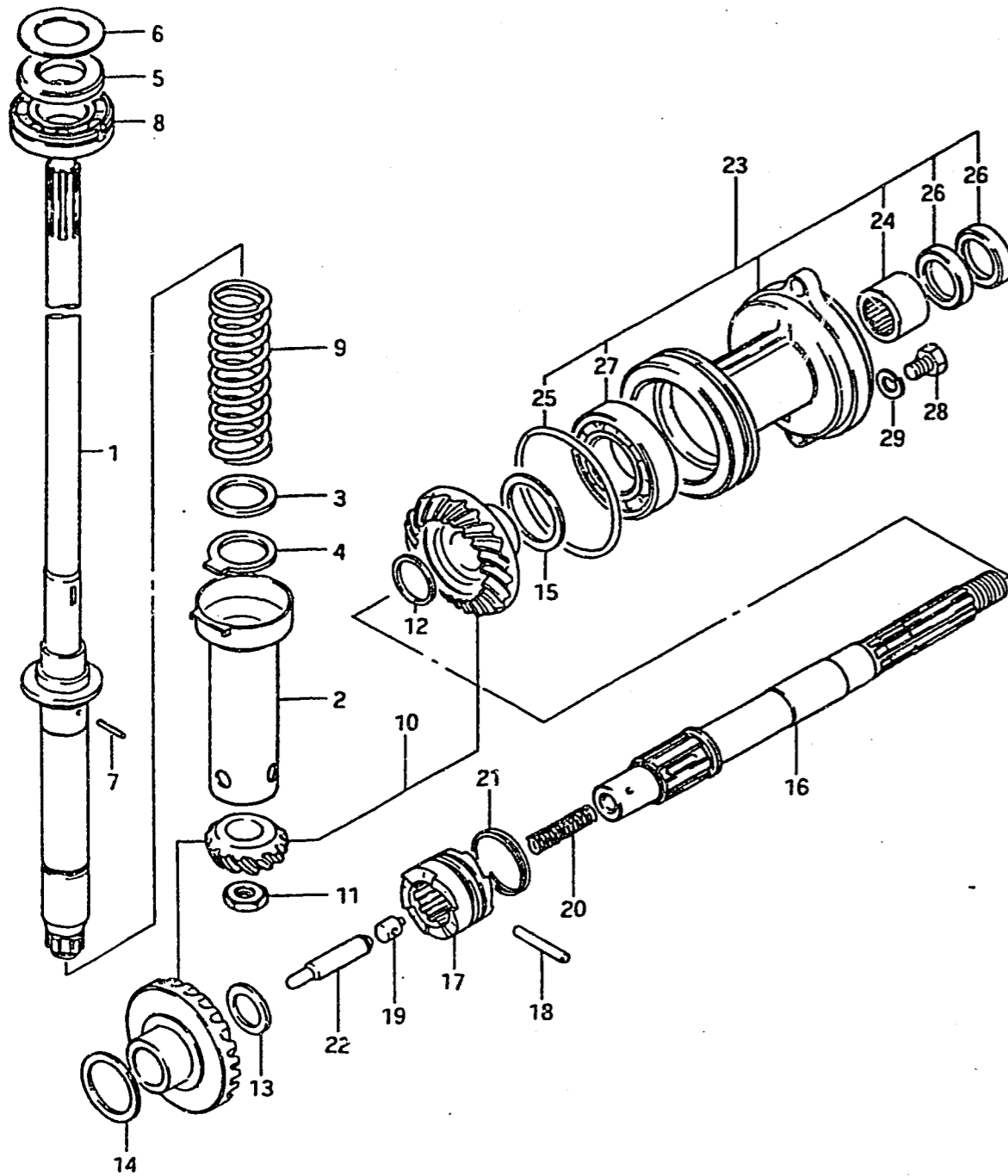


FIG. 22 (D- 8) TRANSMISSION

REF.NO.	PART NO.	DESCRIPTION	Q'TY	REMARKS
1	57110-95340	SHAFT, drive	1	
2	57133-95300	COLLAR, gear oil pump guide	1	
3	09160-27007	WASHER	1	
4	09167-28005	WASHER	1	
5	09160-30033	WASHER	1	
6-1	09181-30019	SHIM (T:0.5)	0~1	
6-2	09181-30020	SHIM (T:0.6)	0~1	
6-3	09181-30021	SHIM (T:0.7)	0~1	
6-4	09181-30022	SHIM (T:0.8)	0~1	
6-5	09181-30023	SHIM (T:0.9)	0~1	
6-6	09181-30024	SHIM (T:1.0)	0~1	
7	09205-03022	SPRING PIN	1	
8	09262-30009	BEARING (30x62x16)	1	
9	09440-27010	SPRING	1	
10	57301-95850	PINION/GEAR SET	1	
11	09140-14024	NUT	1	
12-1	09160-25046	WASHER (T:1.8)	0~1	
12-2	09160-25047	WASHER (T:1.9)	0~1	
12-3	09160-25048	WASHER (T:2.0)	0~1	
12-4	09160-25049	WASHER (T:2.1)	0~1	
12-5	09160-25050	WASHER (T:2.2)	0~1	
12-6	09160-25051	WASHER (T:2.3)	0~1	
13	09160-22029	WASHER (T:2.5)	1	

FIG. 22

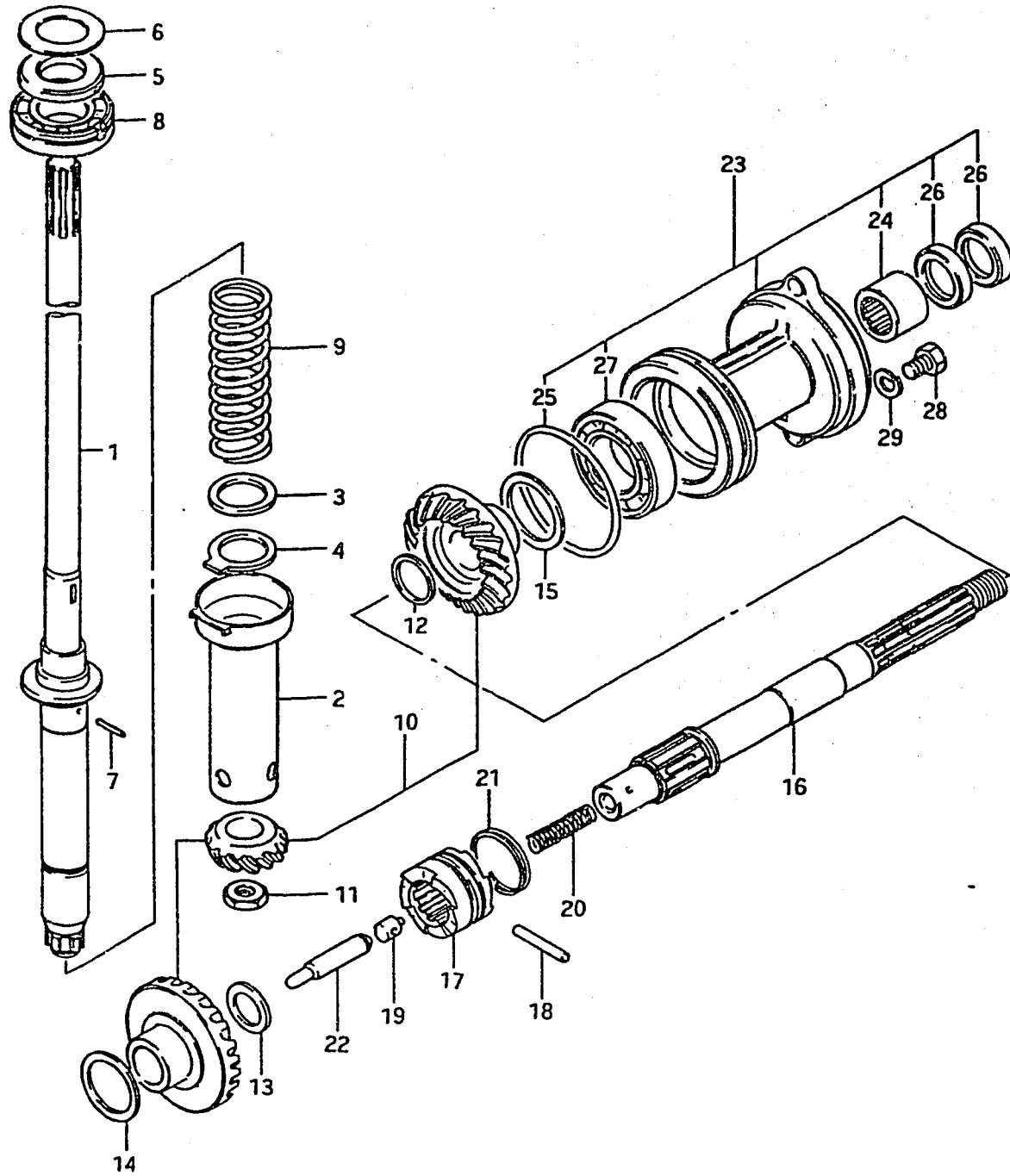


FIG. 22 (D- 9) TRANSMISSION

REF.NO.	PART NO.	DESCRIPTION	Q'TY	REMARKS
14-1	09181-35003	SHIM (35x45x0.5)	0~1	
14-2	09131-35009	SHIM (35x45x0.6)	0~1	
14-3	09181-35010	SHIM (35x45x0.7)	0~1	
14-4	08221-35456	SHIM (35x45x0.8)	0~1	
14-5	09181-35011	SHIM (35x45x0.9)	0~1	
14-6	08211-35451	THRUST WASHER (35x45x1)	0~1	
15-1	08221-40505	SHIM (T:0.5)	0~1	
15-2	09181-40016	SHIM (T:0.6)	0~1	
15-3	09181-40017	SHIM (T:0.7)	0~1	
15-4	08221-40506	SHIM (T:0.8)	0~1	
16	57610-95300	SHAFT, propeller	1	
17	57621-95301	SHIFTER, clutch dog	1	
18	09202-06024	PIN	1	
19	09209-09006	PIN	1	
20	09440-09017	SPRING	1	
21	09440-40001	SPRING	1	
22	57631-95310	ROD, push	1	
23	56120-95320-02M	HOUSING, propeller	1	
24	09263-25041	.BEARING	1	
25	09280-88001	.O RING	1	
26	09282-25001	.OIL SEAL (25x38x8)	2	
27	08113-60080	.BALL BEARING	1	
28	09100-08168	BOLT (8x30)	2	
29	09162-08003	LOCK WASHER	2	

FIG. 23

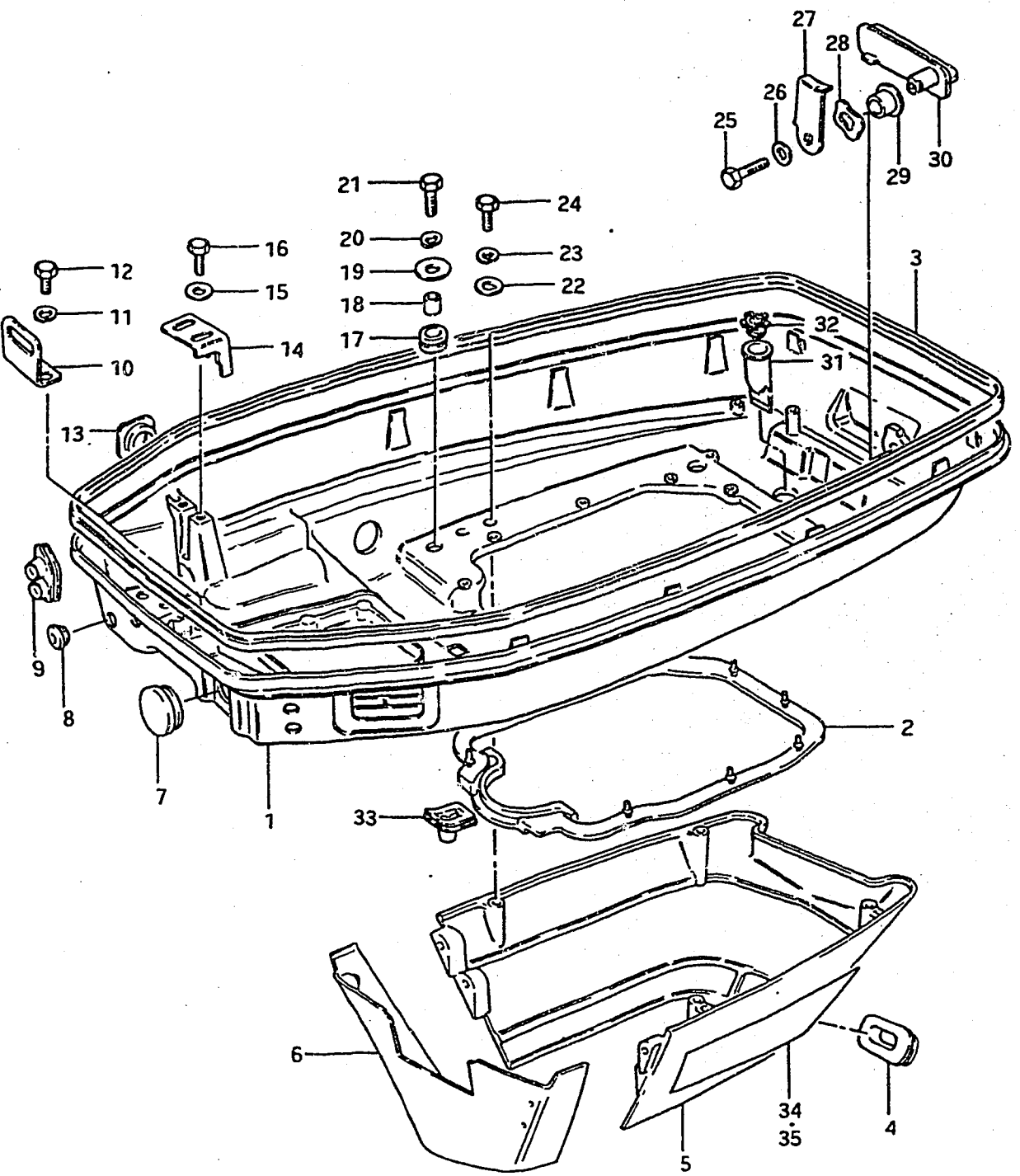


FIG. 23 (D-10) LOWER COVER

REF.NO.	PART NO.	DESCRIPTION	Q'TY	REMARKS
1	61110-95302-02M	COVER, engine, lower	1	
2	61113-95205	SEAL, under cover, lower	1	
3	61112-95208	SEAL, under cover, upper	1	
4	61142-95201	GROMMET, under cover, lower	1	
5	61141-95203-02M	COVER, lower rear, under	1	
6	61131-95201-02M	COVER, lower front, under	1	
7	09250-05003	PLUG	2	
8	63725-95200	GROMMET	1	
9	67331-95210	GROMMET	1	
10	61116-95202	BRACKET, engine cover	1	
11	09162-06001	LOCK WASHER	2	
12	09100-06115	BOLT (6x15)	2	
13	61124-95200	GROMMET, lower cover	1	
14	67271-95211	HOLDER, remo-cont cable	1	
15	09162-06001	LOCK WASHER	2	
16	09100-06115	BOLT (6x15)	2	
17	09320-10011	CUSHION	4	
18	09180-06112	SPACER (6.8x10x11.5)	4	
19	09160-06047	WASHER (6.5x22x2)	4	
20	09162-06001	LOCK WASHER	4	
21	09100-06089	BOLT (6x25)	4	

FIG. 23

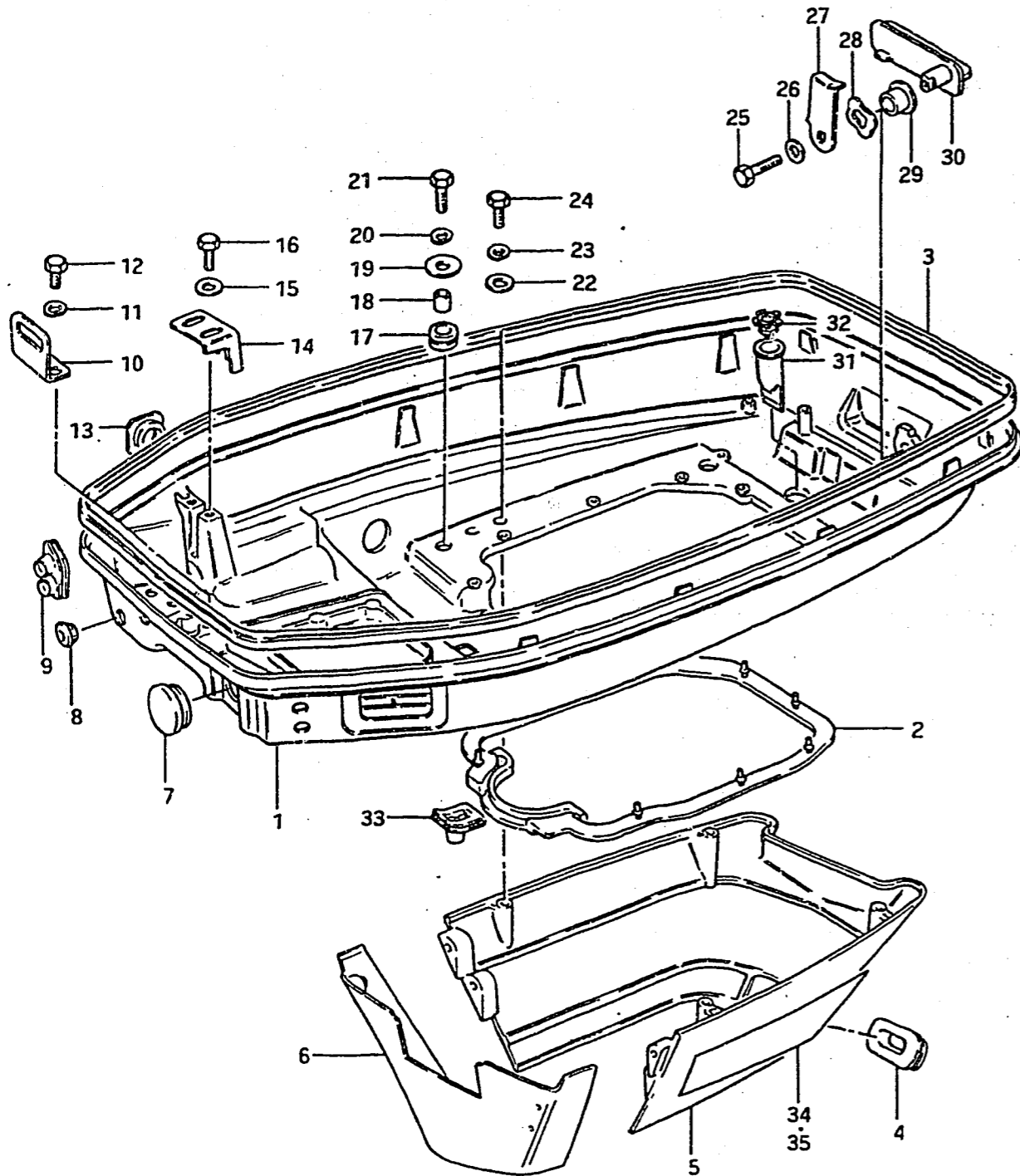


FIG. 23 (D-11) LOWER COVER

REF.NO.	PART NO.	DESCRIPTION	Q'TY	REMARKS
22	09160-06015	WASHER (6.5x13x1)	8	
23	09162-06001	LOCK WASHER	8	
24	09100-06020	BOLT (6x20)	8	
25	01107-06108	BOLT	1	
26	08322-21068	WASHER	1	
27	61631-95300	HOOK, under cover	1	
28	09164-13005	WASHER	1	
29	09306-13002	BUSH	1	
30	61633-95201-02M	LEVER, hook	1	
31	61139-94500	HOSE, drain	1	
32	13979-37400	STOPPER, drain	1	
33	23131-95501	BOOT, clutch rod	1	
34	61221-95560	DECAL, lower, RH	1	
35	61231-95560	DECAL, lower, LH	1	

FIG. 24

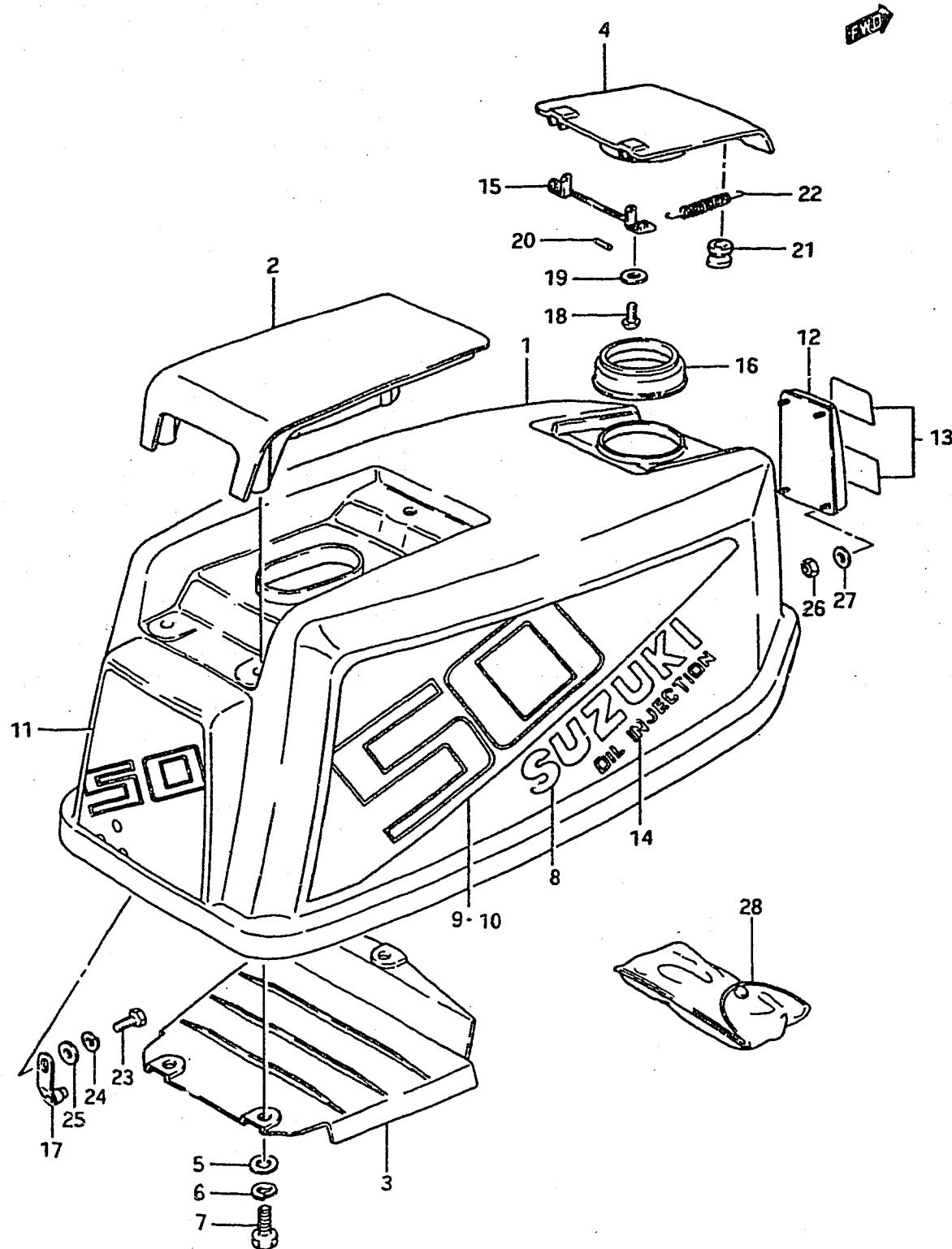


FIG. 24 (D-12) ENGINE COVER

Q'TY

REMARKS

REF.NO.	PART NO.	DESCRIPTION	Q'TY	REMARKS
1	61403-95810-02M	COVER SET, engine	1	
2	61431-95201-02M	.HANDLE, tilt up	1	
3	61433-95300	.COVER, air intake inner	1	
4	61481-95302-02M	.LID, oil tank filler	1	
5	09160-06036	.WASHER (6.5x18x1.5)	3	
6	09162-06001	.LOCK WASHER	3	
7	09100-06113	.BOLT (6x16)	3	
8	61441-95360	.EMBLEM, SUZUKI	2	
9	61443-95290	.DECAL, side, RH	1	
10	61453-95290	.DECAL, side, LH	1	
11	61435-95290	.EMBLEM, rear	1	
12	61420-95510	.EMBLEM, front	1	
13	61422-95561	.MARK, front upper	1	
14	61442-94560	.MARK, oil injection	2	
15	61482-95301	.HINGE, oil tank lid	1	
16	61491-95300	.SEAL, lid oil filler	1	
17	61610-96301	.FASTENER	1	
18	09125-06033	.SCREW (6x12)	2	
19	09160-06055	.WASHER (7x12x1)	2	
20	09205-03028	.PIN	2	
21	09329-05007	.CUSHION	2	
22	09443-04003	.SPRING	2	
23	01107-06128	.BOLT	1	
24	08321-21068	.LOCK WASHER	1	
25	08322-21068	.WASHER	1	
26	09140-05001	.NUT	4	
27	09160-05024	.WASHER (5.5x16x1.5)	4	
28	09800-81800	TOOL SET	1	

FIG. 25

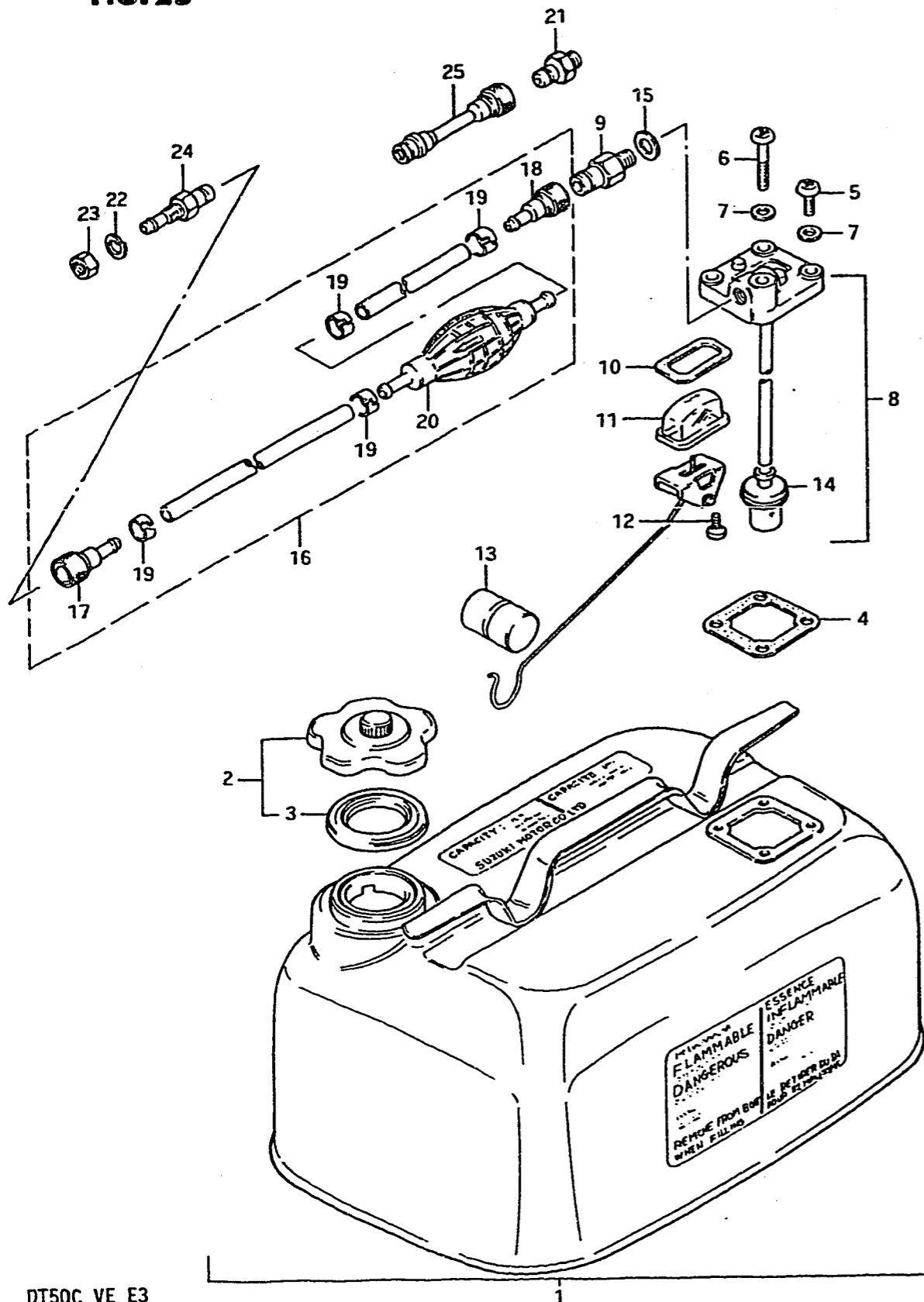


FIG. 25 (E- 2) FUEL TANK

Q'TY

REF.NO.	PART NO.	DESCRIPTION	Q'TY	REMARKS
1	65000-95201	TANK SET, fuel, 23L	1	6 US.GAL./5 IMP.GAL.
2	65510-98507	.CAP ASSY, separate tank	1	
3	65561-98502	..GASKET, tank cap	1	
4	65871-93010	..GASKET, fuel gauge	1	
5	02112-06168	..SCREW	3	
6	02112-06408	..SCREW	1	
7	09168-06002	..WASHER	4	
8	65850-95505	..GAUGE ASSY, fuel	1	
9	65740-95500	..MALE CONNECTOR, fuel	1	M12,00:13
10	65854-93001	..GASKET	1	
11	65853-93001	..STRAINER, fuel gauge	1	
12	02112-04108	..SCREW	2	
13	65864-95200	..FLOAT	1	
14	65830-95500	..FILTER	1	
15	09168-12001	..GASKET (12.5x20x1)	1	
16	65700-95205	HOSE ASSY, fuel	1	
17	65750-98505	..FEMALE CONNECTOR, fuel	1	
18	65750-93000	..FEMALE CONNECTOR, fuel	1	
19	65781-98500	..CLIP	4	
20	65770-99702	..PUMP, squeeze	1	
21	65720-98520	MALE CONNECTOR, fuel	1	
22	08321-21108	LOCK WASHER	1	
23	08310-22108	NUT	1	
24	65720-98590	MALE CONNECTOR, fuel	1	OPT,M12-11
25	65700-95271	HOSE, fuel joint	1	OPT



FIG. 26

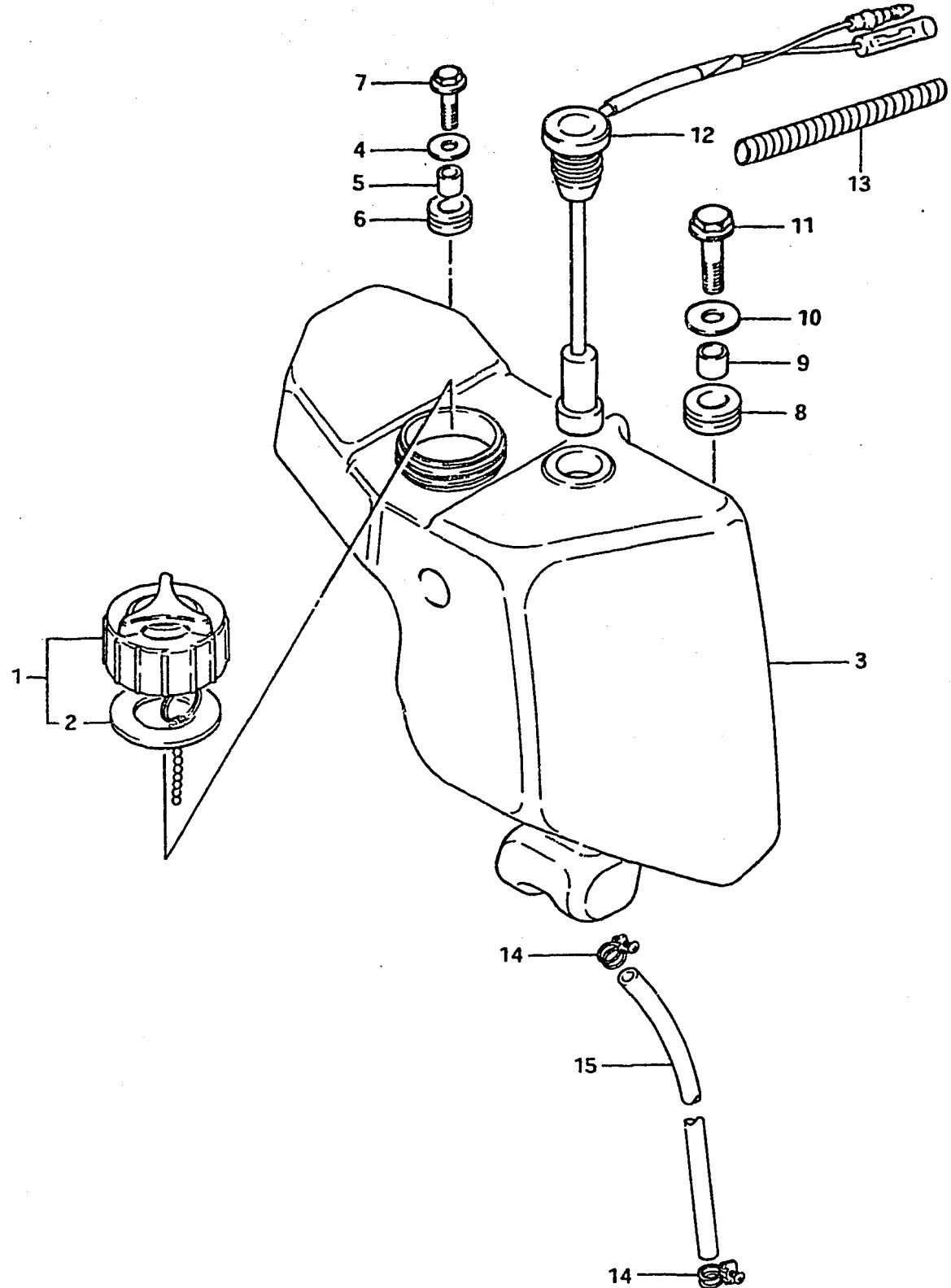
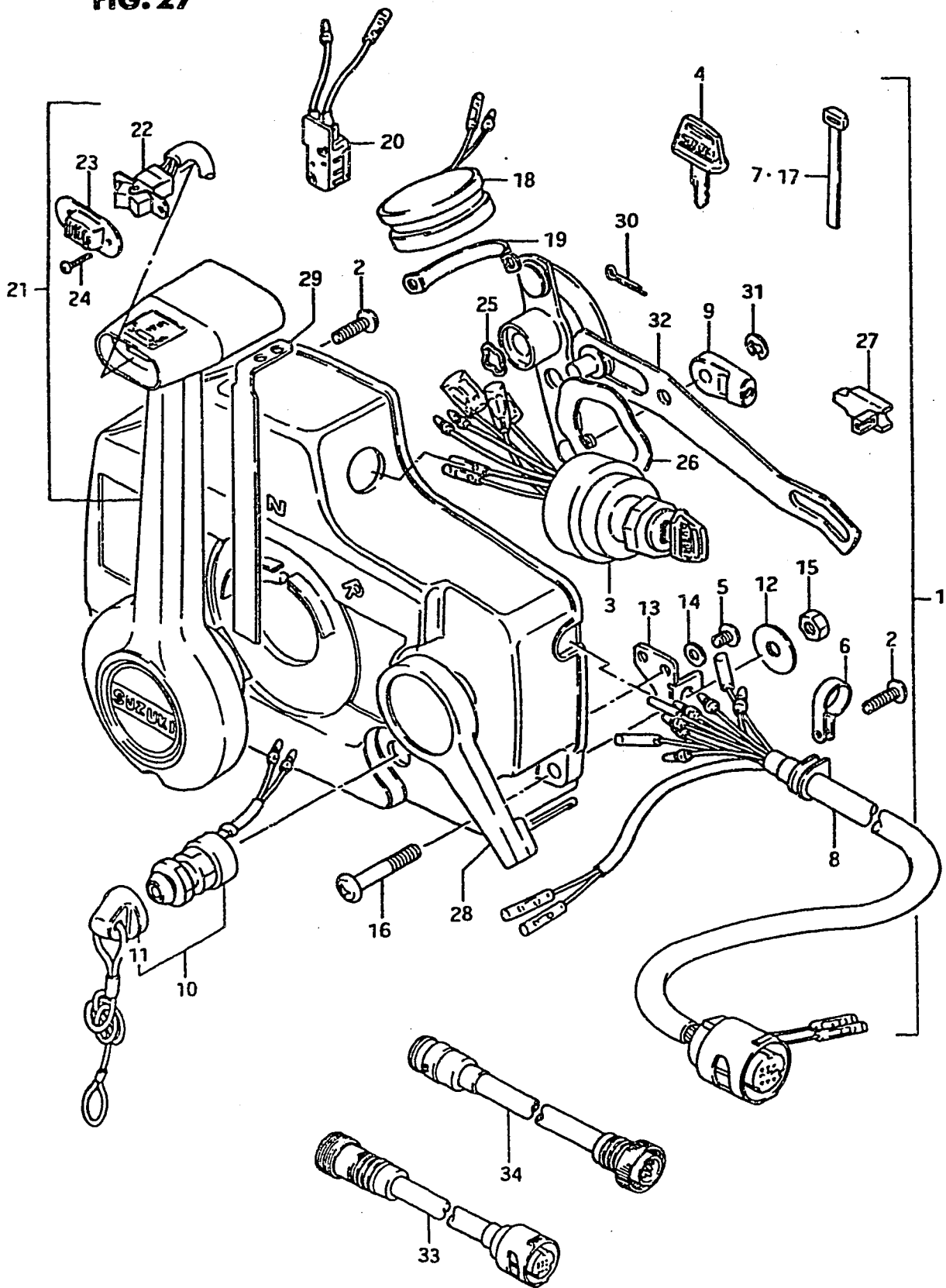


FIG. 26 (E- 3) OIL TANK

REF.NO.	PART NO.	DESCRIPTION	Q'TY	REMARKS
1	69200-94502	CAP ASSY, oil tank filler	1	
2	69241-94500	.GASKET	1	
3	69110-95300	TANK, oil	1	
4	09160-06036	WASHER (6.5x18x1.5)	1	
5	09180-06030	SPACER (6.8x10x10)	1	
6	09320-10008	CUSHION	1	
7	01517-06258	BOLT	1	
8	09320-12027	CUSHION	1	
9	09180-09014	SPACER (9x12x10)	1	
10	09160-08014	WASHER (8.5x23x1.5)	1	
11	01517-08358	BOLT	1	
12	34860-95311	SWITCH ASSY, oil level	1	
13	34863-94500	TUBE, 50	1	
14	09401-08409	CLIP	2	
15	09343-04045	HOSE	1	L:320-240

FIG. 27 (E- 4) REMOTE CONTROL BOX

FIG. 27



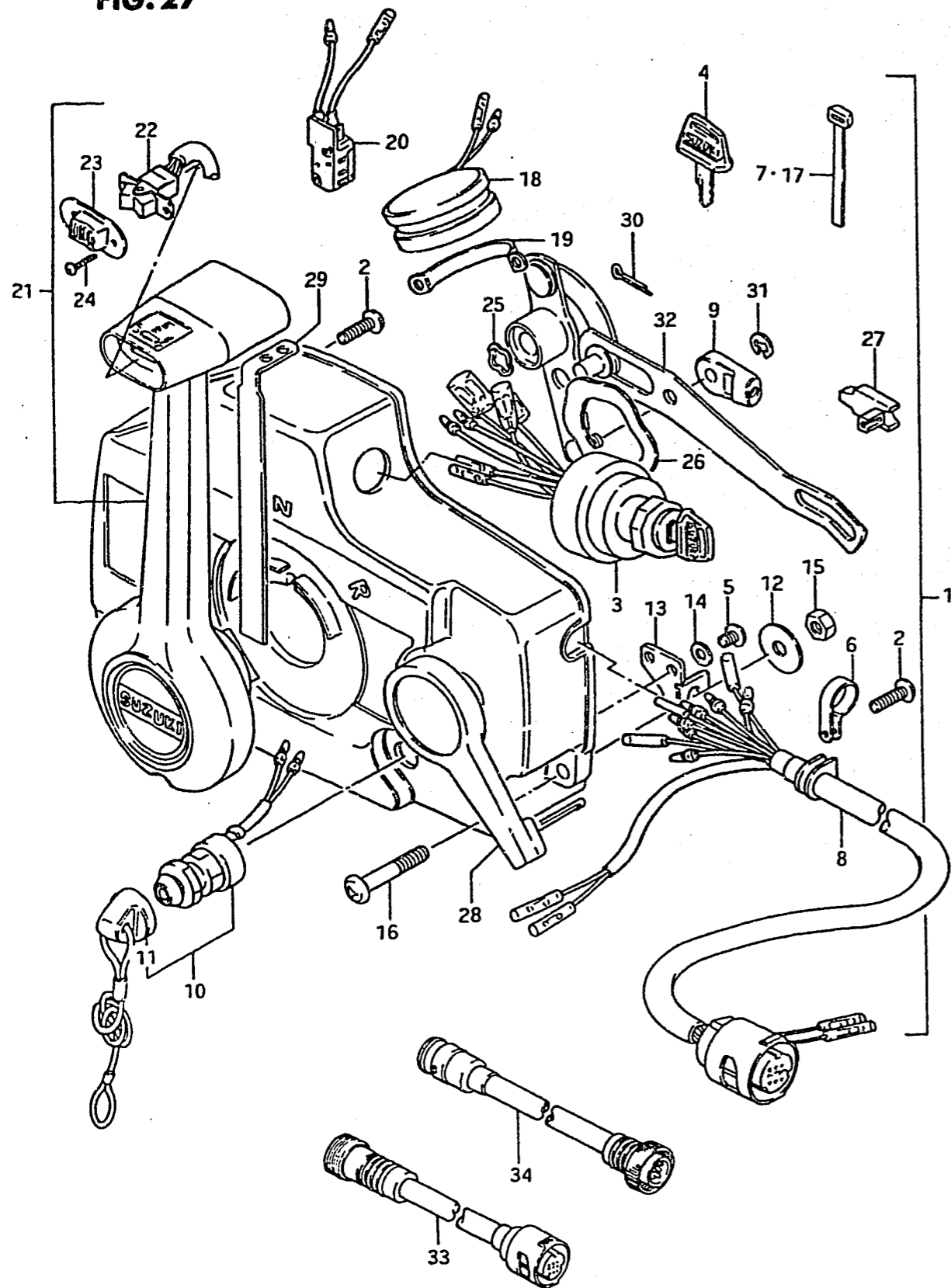
Q'TY

REMARKS

REF.NO.	PART NO.	DESCRIPTION	Q'TY	REMARKS
1-1	67200-95551	REMOTE CONTROL BOX	1	
1-2	67200-95561	REMOTE CONTROL BOX	1	OPT,with PTT switch
2	67296-94300	.SCREW	3	
3	37110-94301	.SWITCH ASSY, ignition	1	
4-1	37141-93300	..KEY, spare 8511	1	
4-2	37141-93310	..KEY, spare 8512	1	
4-3	37141-93320	..KEY, spare 8513	1	
4-4	37141-93330	..KEY, spare 8611	1	
4-5	37141-93340	..KEY, spare 8612	1	
4-6	37141-93350	..KEY, spare 8613	1	
5	67296-94310	.SCREW	6	
6	36622-94300	.CLAMP	2	
7	36632-95501	.CLAMP	1	
8-1	36620-94300	.WIRING HARNESS	1	for 67200-95551
8-2	36620-94310	.WIRING HARNESS	1	for 67200-95561
9	67275-94300	.END, cable	2	
10	37820-96302	.SWITCH, emergency	1	
11	37823-95251	..CAP, emergency switch	1	
12	67288-94300	.WASHER	6	
13	67271-94300	.HOLDER, cable	1	
14	67288-94310	.WASHER	3	
15	09140-06004	.NUT	3	
16	09125-06012	.SCREW	3	
17	37119-94300	.BAND	3	
18	38500-95503	.BUZZER, warning	1	
19	38501-95500	.BAND, warning buzzer	1	
20	37721-95551	.SWITCH ASSY, neutral	1	

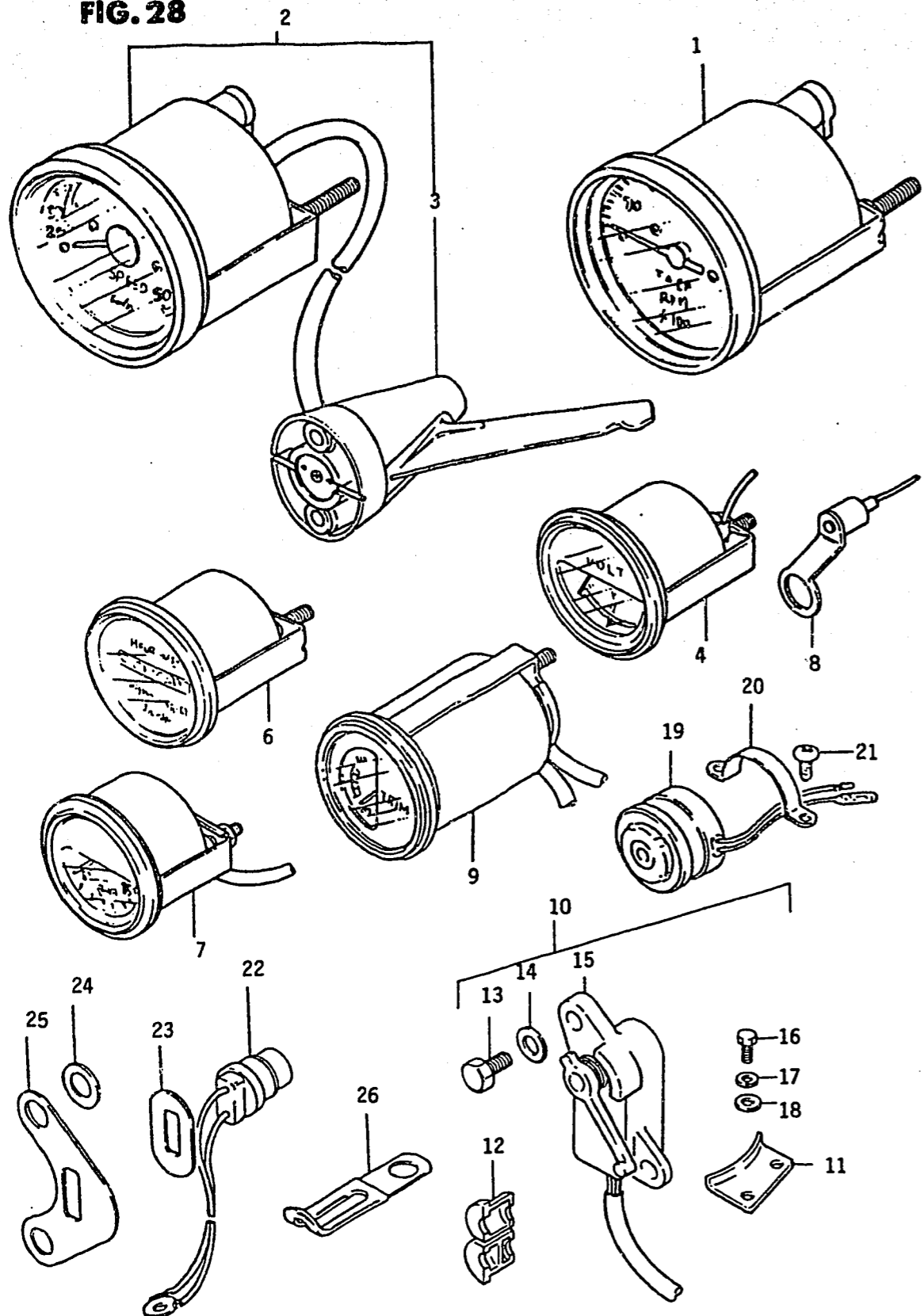
FIG. 27 (E- 5) REMOTE CONTROL BOX

FIG. 27



REF.NO.	PART NO.	DESCRIPTION	Q'TY	REMARKS
21	67250-95302	.LEVER ASSY, remote control	1	
22	37860-94301	..SWITCH, trim	1	
23	37864-95500	..CAP, switch	1	
24	09139-02003	..SCREW	2	
25	67232-94300	.BUSH	1	
26	67252-94300	.BUSH	1	Inner parts of 67200-95561
27	67214-94300	.ACTUATOR	1	
28	67241-94300	.LEVER, free throttle	1	
29	67255-94300	.ARM, neutral lock	1	
30	67293-94300	.PIN	1	
31	67292-94300	.E RING	3	
32	67220-94300	.PLATE ASSY	1	
33	36641-94701	ADAPTOR (O.N)	1	OPT
34	36642-94702	ADAPTOR (N.O)	1	OPT

FIG. 28



DT50C VE E3

Revised 5/10/84

FIG. 28 (E-6) OPT : ELECTRICAL

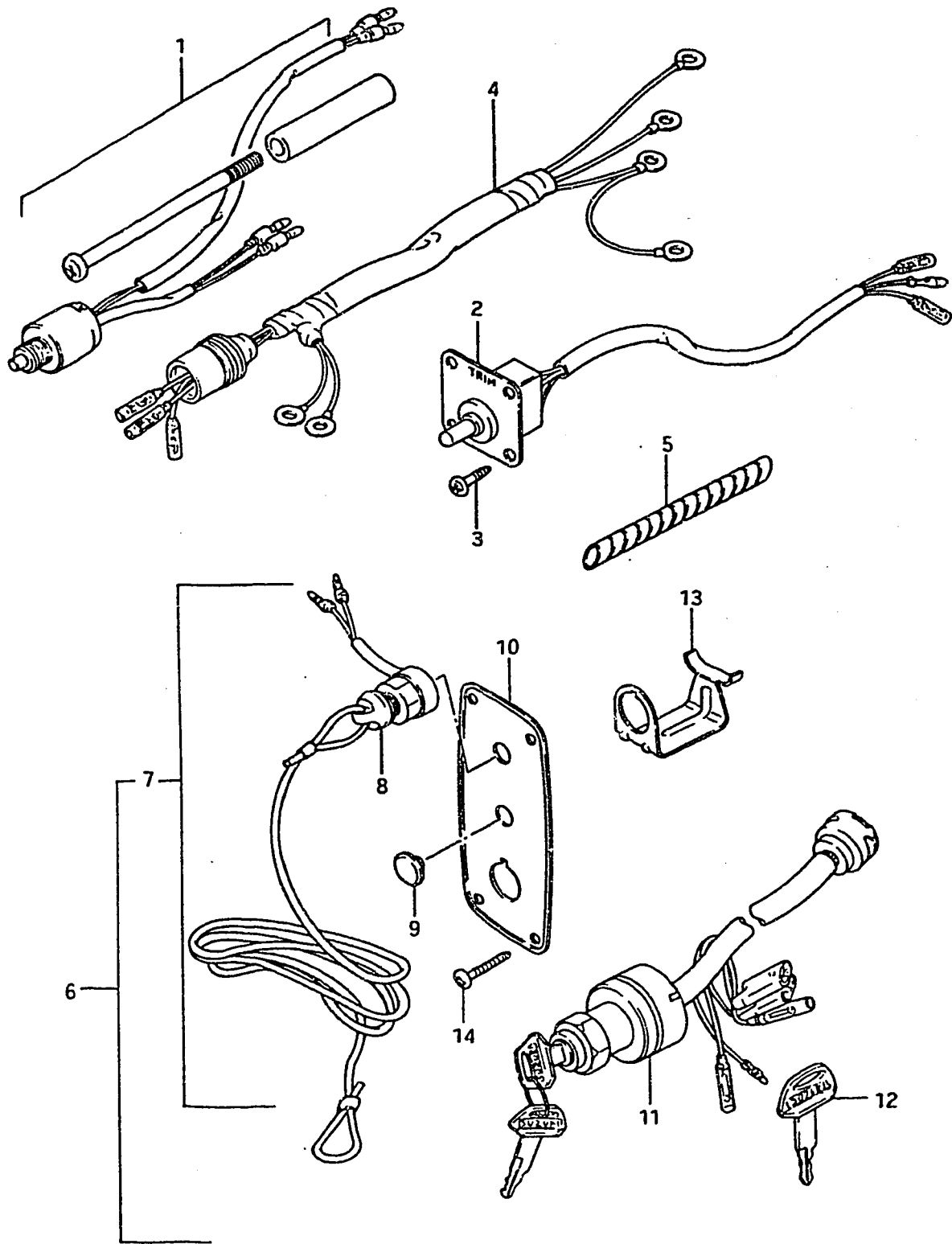
REF.NO.	PART NO.	DESCRIPTION	Q'TY	REMARKS
1	99105-00175	TACHOMETER	1	0-8000 R.P.M.
2	99105-00176	SPEEDOMETER	1	0-80 M.P.H.
3	99105-00176-001	.PITOT TUBE ASSY	1	
4	99105-00177	VOLTMETER	1	
5	99105-00178	FUEL GAUGE	1	Not Shown
6	99105-00180	HOUR METER	1	
7	34400-95722	TEMPERATURE GAUGE	1	Degrees Centigrade
8	34840-95700	SENDER UNIT	1	
9	34800-95512	TRIM GAUGE	1	
10	34801-95300	TRIM SENDER	1	
11	34802-95300	.ATTACHMENT, PTT	1	
12	34803-94500	.GROMMET, sender read	1	
13	09100-06113	.BOLT (6x16)	2	
14	09160-06015	.WASHER (6.5x13x1)	2	
15	34801-95210	.TRIM SENDER	1	
16	09100-06018	.BOLT	2	
17	09162-06001	.LOCK WASHER	2	
18091	09160-06015	.WASHER	2	
19	38500-95503	BUZZER, warning	1	
20	38501-95500	BAND	1	
21	02112-05088	SCREW	2	
22	34850-95510	SWITCH, heat	1	STD
23	34854-95300	FILLER, heat switch	1	
24	09160-10026	WASHER, (10.2x18x1)	1	
25	34853-94500	SUPPORTER, thermo unit	1	STD
26	09401-10201	CLAMP	1	STD

DT50C VE E3

Revised 5/10/84

E6

FIG. 29



Q'TY

REMARKS

REF.NO.	PART NO.	DESCRIPTION	Q'TY	REMARKS
1	67140-95300	ATTACHMENT TWIN SET	1	
2	37850-95201	P.T.T. SWITCH ASSY, dashboard	1	
3	03112-04129	.SCREW	2	
4	33830-95204	CABLE ASSY, trim relay-in	1	
5	38423-95501	TUBE, wire harness	1	L:150
6	37100-95210	PANEL ASSY, switch	1	
7	37820-95353	.SWITCH ASSY, emergency	1	
8	37823-95251	..CAP	1	
9	37101-93310	.CAP	1	
10	37139-95251	.PLATE, switch	1	
11	37110-95210	.SWITCH, ignition	1	
12-1	37141-93300	..KEY, spare 8511	1	
12-2	37141-93310	..KEY, spare 8512	1	
12-3	37141-93320	..KEY, spare 8513	1	
12-4	37141-93330	..KEY, spare 8611	1	
12-5	37141-93340	..KEY, spare 8612	1	
12-6	37141-93350	..KEY, spare 8613	1	
13	37150-93350	.HOLDER	1	
14	03112-05209	SCREW	4	

FIG. 30

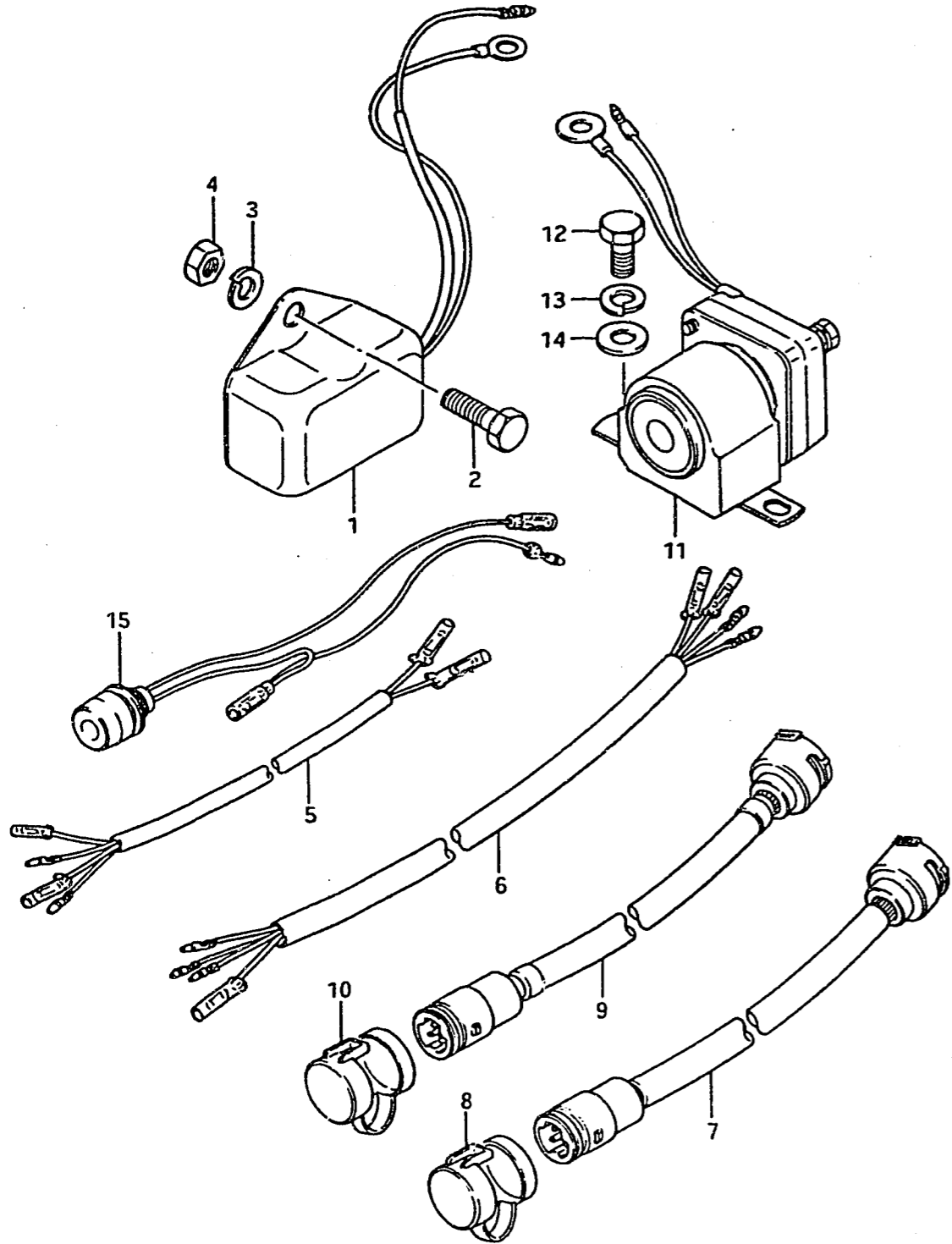


FIG.30 (E- 8) OPT : ELECTRICAL (3)

REF.NO.	PART NO.	DESCRIPTION	Q'TY	REMARKS
1	32500-95721	REGULATOR ASSY, voltage	1	
2-1	01107-06168	BOLT	1	
2-2	01107-06358	BOLT	1	
3	08321-21068	LOCK WASHER	2	
4	08310-11068	NUT	2	
5	37853-95251	WIRING HARNESS, P.T.T. switch	1	
6	36640-95500	WIRING HARNESS, relay control	1	
7	36620-95202	WIRING HARNESS, extension	1	16 feet
8	36631-94300	.CAP	1	
9	36620-95300	WIRING HARNESS, extension .	1	16 feet
10	36631-94300	.CAP	1	
11	38410-94540	RELAY, down in trim	2	
12	09100-06113	BOLT (6x16)	4	
13	09162-06001	LOCK WASHER	4	
14	09160-06015	WASHER (6.5x13x1)	4	
15-1	37860-95210	TRIM SWITCH ASSY, UP	1	
15-2	37870-95210	TRIM SWITCH ASSY, DN	1	

FIG.31

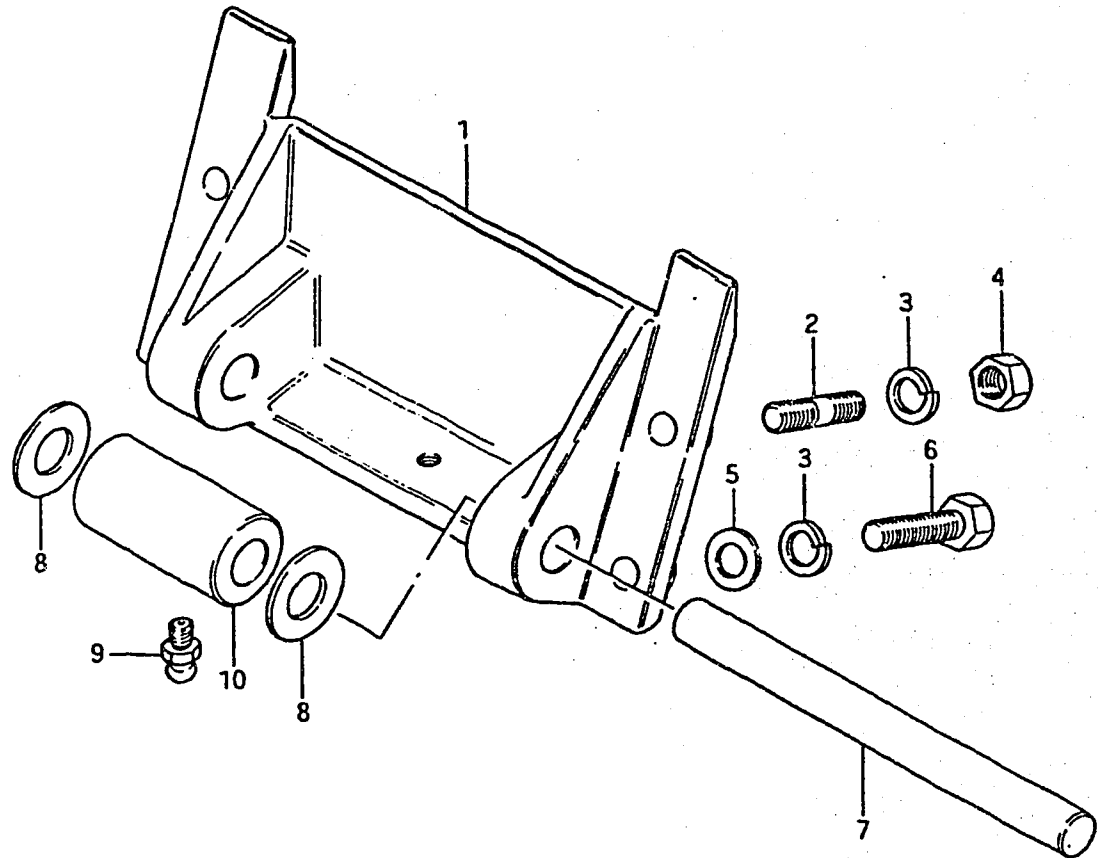
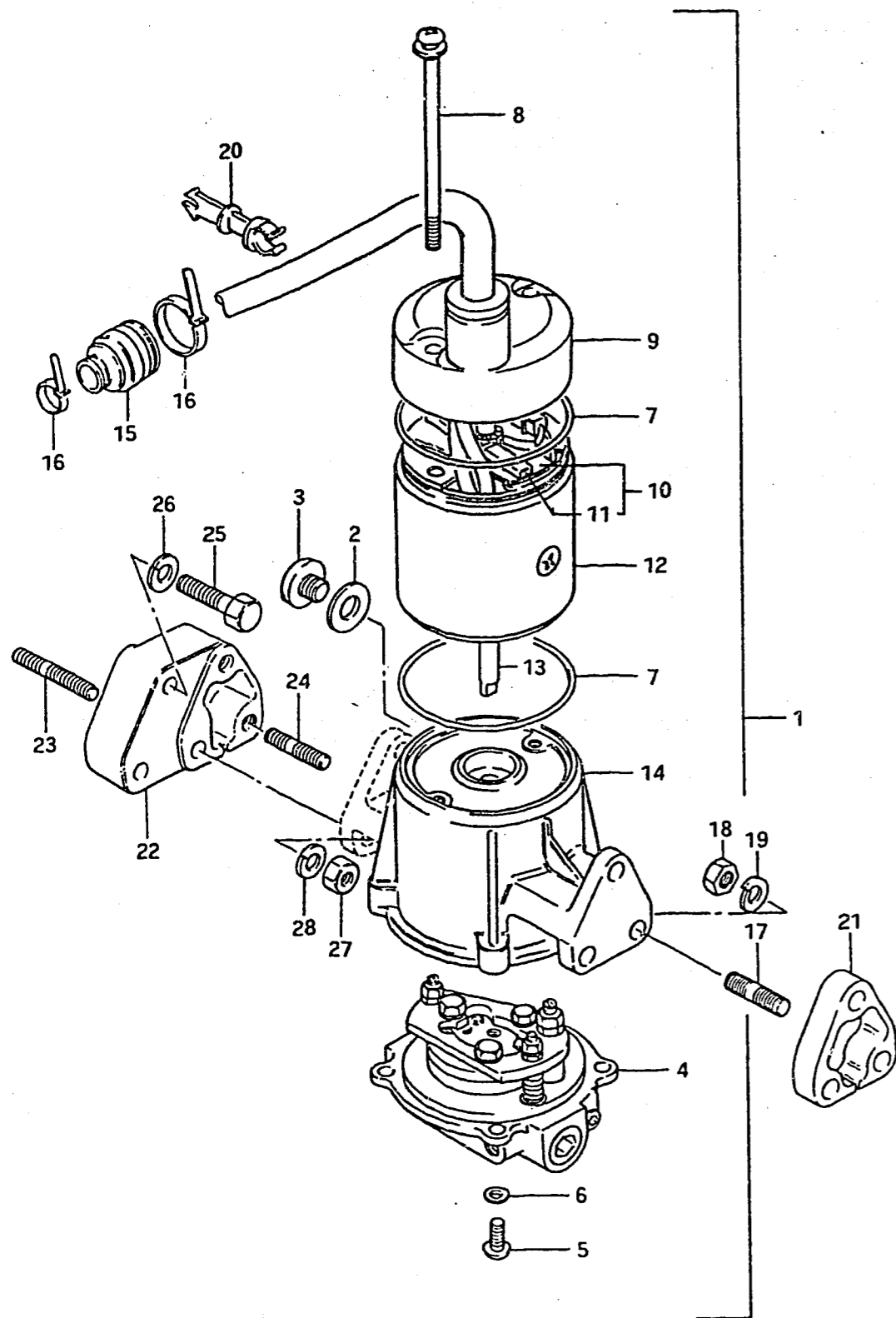


FIG.31 (E- 9) OPT : CYLINDER SUPPORT

REF.NO.	PART NO.	DESCRIPTION	Q'TY	REMARKS
1	48111-95201-02M	BRACKET, oil cylinder support	1	
2	09108-10061	STUD BOLT	2	
3	09162-10005	LOCK WASHER	2	
4	09140-10015	NUT	2	
5	09160-10040	WASHER (10.5x19x2)	2	
6	09100-10220	BOLT (10x35)	2	
7	48121-95200	SHAFT, oil cylinder	1	
8	09160-15036	WASHER (15x30x2)	2	
9	22511-99000	NIPPLE, grease	1	
10	48163-95200-02M	SPACER, oil cylinder	1	

FIG.32



Q'TY

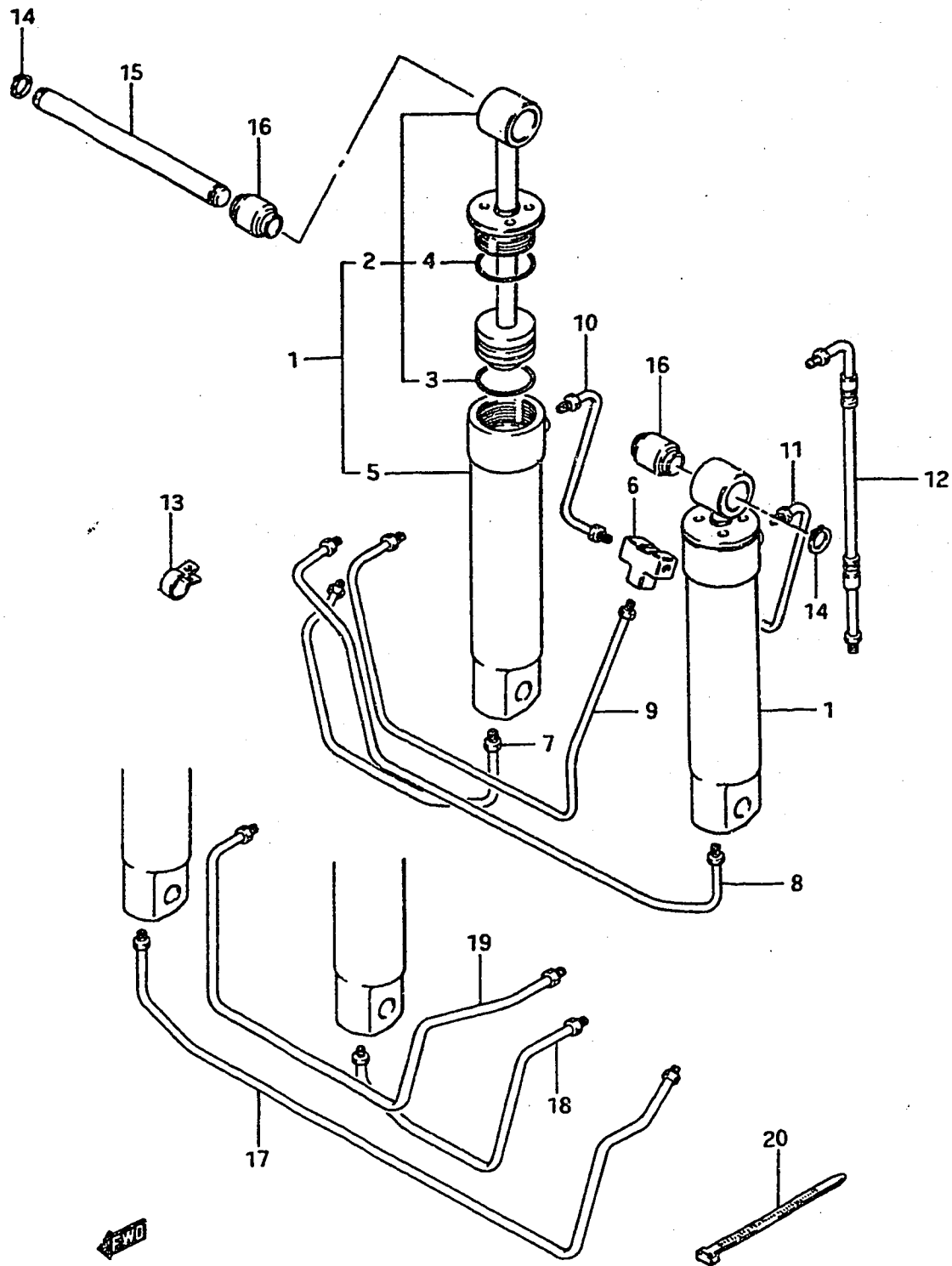
REMARKS

REF.NO.	PART NO.	DESCRIPTION	Q'TY	REMARKS
1-1	48500-95201-02M	POWER TRIM/TILT ASSY	1	
1-2	48500-95280-02M	POWER TRIM/TILT ASSY	1	PORT SIDE
2	09168-10022	.GASKET (10x17x1.5)	1	
3	09248-10005	.PLUG	1	
4	48502-95200	.PUMP/VALVE BODY ASSY	1	
5	09125-05048	.SCREW	4	
6	09160-05032	.WASHER (5.5x10x0.8)	4	
7	09280-70006	.O RING (D:3.1, ID:69.4)	2	
8	31281-94520	.SCREW	2	
9	31170-94520-02M	.COVER, upper	1	
10	31173-94520	.BRUSH HOLDER ASSY	1	
11	31133-94520	..BRUSH	2	
12	31110-94520-02M	.YOKE ASSY	1	
13	31311-94520	.ARMATURE	1	
14	48570-94521-02M	.RESEVOIR ASSY	1	
15	33899-95500	.SEAL, PTT cable	1	
16	36632-95501	.CLAMP	2	
17	09108-08137	STUD BOLT	3	
18	09140-08016	NUT	3	
19	09162-08007	LOCK WASHER	3	
20	33835-95500	CLAMP, PTT motor cable	1	
21	48131-95200	SPACER, power unit	1	
22	48131-95280-02M	SPACER, power unit	1	PORT SIDE
23	09108-03063	STUD BOLT	1	PORT SIDE
24	09108-08130	STUD BOLT	2	PORT SIDE
25	09100-08220	BOLT	2	PORT SIDE
26	09162-08003	LOCK WASHER	2	PORT SIDE
27	09140-08016	NUT	3	PORT SIDE
28	09162-08007	LOCK WASHER	3	PORT SIDE



FIG. 33

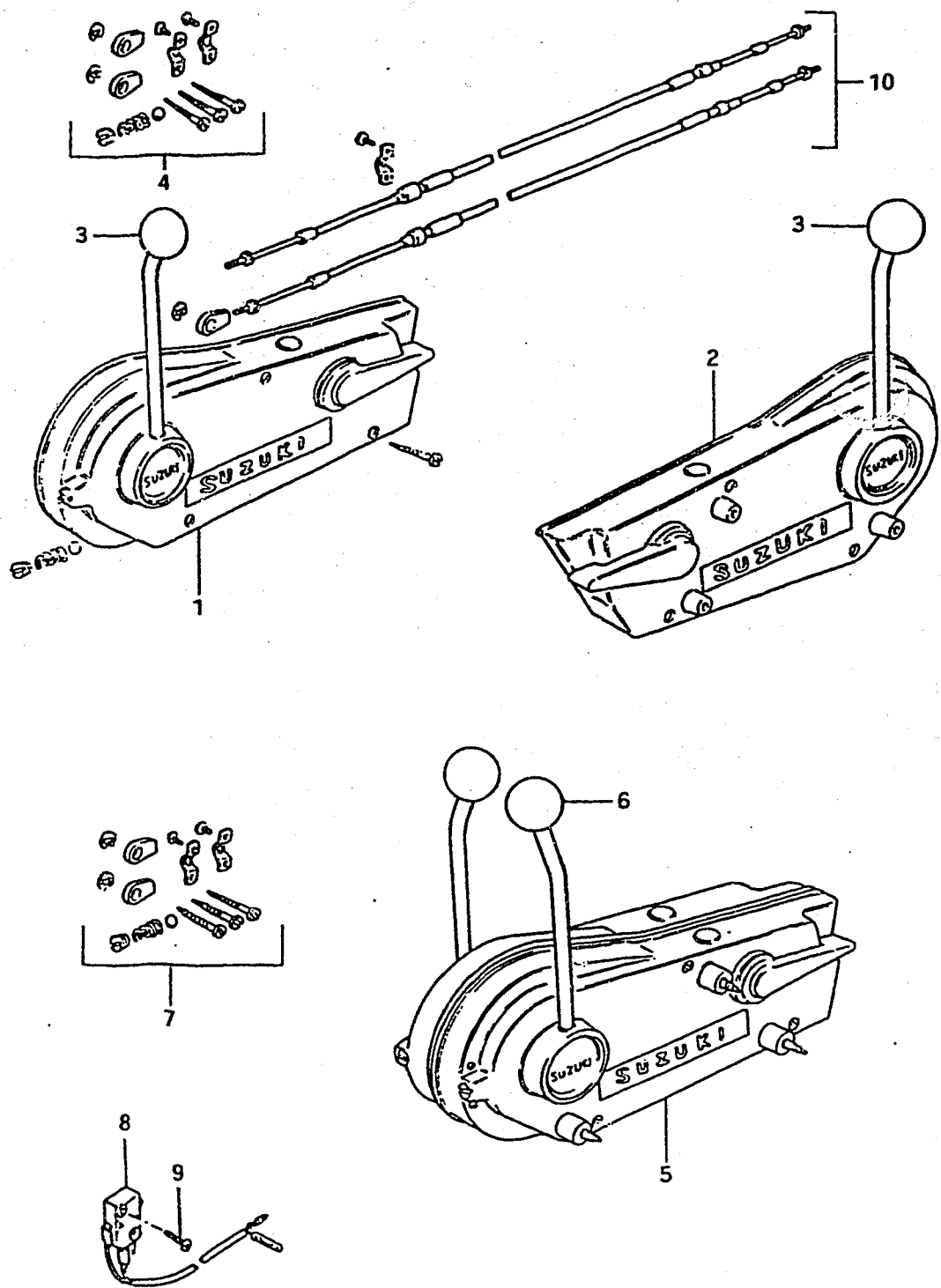
FIG. 33 (E-11) OPT : TRIM CYLINDER



REF.NO.	PART NO.	DESCRIPTION	Q'TY	REMARKS
1	48600-95200-02M	CYLINDER ASSY, trim & tilt	2	
2	48601-95200	.PISTON	2	
3	48627-95510	..O RING, piston	2	
4	48633-95510	..O RING, head	2	
5	48641-95200	.TUBE, cylinder	2	
6	48711-95510	CONNECTOR, 3 way	2	
7	48720-95200	TUBE, inlet, No.1	1	
8	48730-95200	TUBE, inlet, No.2	1	
9	48750-95202	TUBE, outlet, No.1	1	
10	48760-95202	TUBE, outlet, No.2	1	
11	48770-95202	TUBE, outlet, No.3	1	
12	48790-95300	HOSE, power trim	3	Flexible
13	36632-95501	CLAMP	4	
14	09380-12002	CIRCLIP	2	
15	48321-95200	PIN, piston rod	1	
16	09319-12020	BUSH	2	
17	48720-95280	TUBE INLET, No.1	1	PORT SIDE
18	48730-95280	TUBE INLET, NO.2	1	PORT SIDE
19	48750-95280	TUBE OUTLET	1	PORT SIDE
20	36632-95501	CLAMP	4	PORT SIDE

FIG.34 (E-12) OPT : REMOTE CONTROL

FIG.34



Q'TY

REMARKS

REF.NO.	PART NO.	DESCRIPTION	Q'TY	REMARKS
1	67200-95203	BOX ASSY, remo-cont RH	1	
2	67200-95213	BOX ASSY, remo-cont LH	1	
3	67214-95200	.KNOB	1	
4	67300-95810	.HOLDER SET, remo-cont cable	1	
5	67200-95871	BOX ASSY, twin remo-cont	1	
6	67214-95200	.KNOB	1	
7	67300-95810	.HOLDER SET, remo-cont cable	1	
8	37721-95500	.SWITCH ASSY, neutral	2	
9	02112-03128	.SCREW	4	
10-1	99105-00006	CABLE, remote control 6 feet	2	
10-2	99105-00007	CABLE, remote control 7 feet	2	
10-3	99105-00008	CABLE, remote control 8 feet	2	
10-4	99105-00009	CABLE, remote control 9 feet	2	
10-5	99105-00010	CABLE, remote control 10 feet	2	
10-6	99105-00011	CABLE, remote control 11 feet	2	
10-7	99105-00012	CABLE, remote control 12 feet	2	
10-8	99105-00013	CABLE, remote control 13 feet	2	
10-9	99105-00014	CABLE, remote control 14 feet	2	
10-10	99105-00015	CABLE, remote control 15 feet	2	
10-11	99105-00016	CABLE, remote control 16 feet	2	
10-12	99105-00017	CABLE, remote control 17 feet	2	
10-13	99105-00018	CABLE, remote control 18 feet	2	
10-14	99105-00019	CABLE, remote control 19 feet	2	
10-15	99105-00020	CABLE, remote control 20 feet	2	
10-16	99105-00022	CABLE, remote control 22 feet	2	

FIG.35

FIG.35 (E-13) OPT : TIE ROD

REF.NO.	PART NO.	DESCRIPTION	Q'TY	REMARKS
1	55181-95200	ATTACHMENT, flush hose	1	
2	67701-95300	DRAG LINK ASSY	1	STD
3	67721-94500	.SPACER	1	STD
4	67725-94500	.BOLT	1	STD
5	67726-94500	.NUT	2	STD
6	09160-10040	.WASHER	3	STD

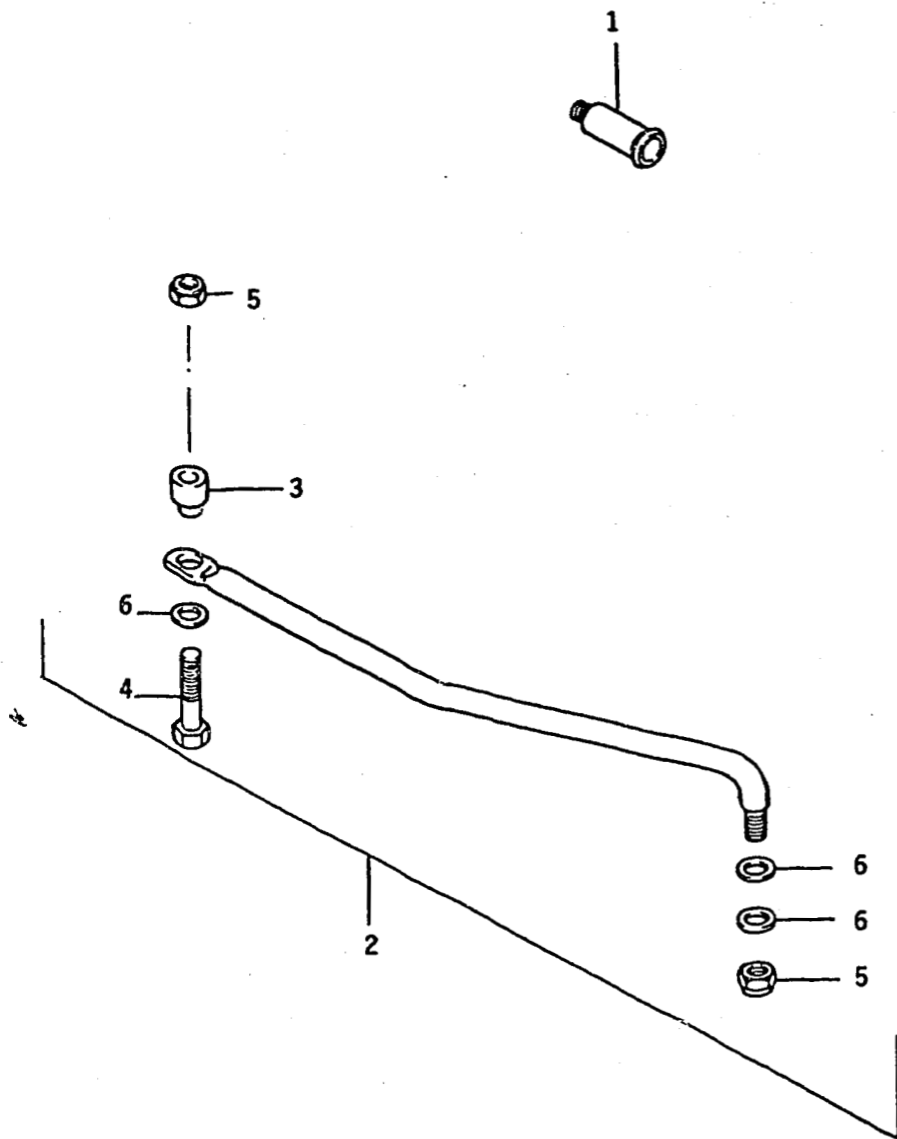


FIG. 36

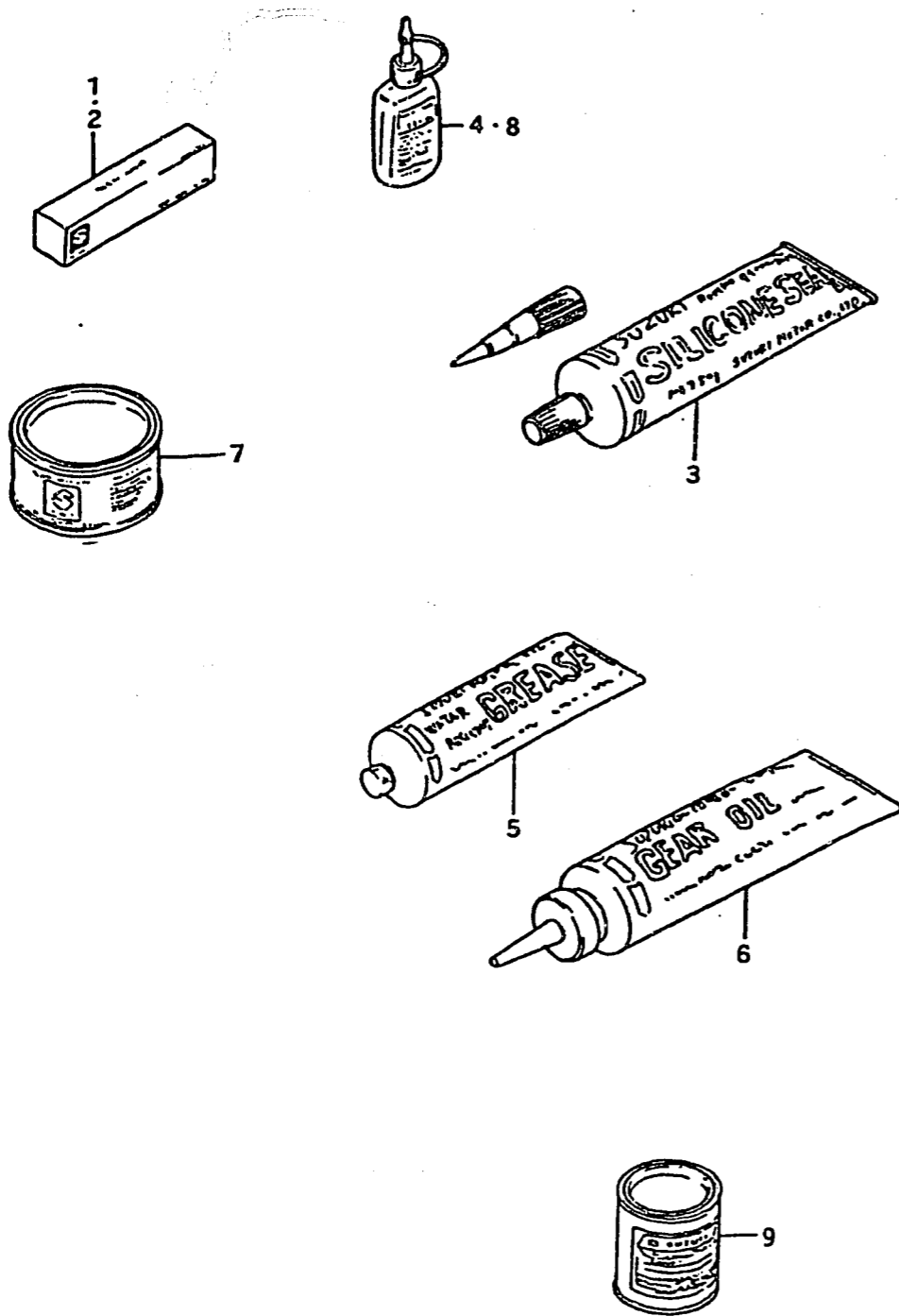


FIG. 36 (E-14) OPTIONAL

REF.NO.	PART NO.	DESCRIPTION	Q'TY	REMARKS
1	99000-31030	GASKET, liquid	1	for crankcase,100g
2	99000-31050	GASKET, liquid	1	for gear case,100g
3	99000-31120	SILICONE SEAL	1	50g
4	99000-32050	THREAD LOCK	1	50g (1342)
5-1	99000-25160	GREASE, water resistant	1	250g
5-2	99000-25170	GREASE, water resistant	1	50g
6	99000-22540	GEAR OIL, outboard motor	1	400cc/13,9 oz.
7	99000-25010	SUZUKI SUPER GREASE A	1	450g, for crank oil seal
8	99000-32020	THREAD LOCK SUPER	1	50g (1333B)
9-1	99000-10109-01T	PAINT (Francois White)	1	90g
9-2	99000-10209-02M	PAINT (Arctic Silver)	1	90g